

SYSTEMATIC QUALITY

AlphaLUXX
Floodlight

DeltaLUXX
High Bay Lighting

PRODUCT INFORMATION



GIFAS
ELECTRIC

AlphaLUXX

The efficient GIFAS floodlights!

DESIGNED, DEVELOPED and PRODUCED by GIFAS

The AlphaLUXX floodlights are made in Germany. During the development, great emphasis was placed on the quality of the components, coupled with excellent efficiency and state-of-the-art technology.

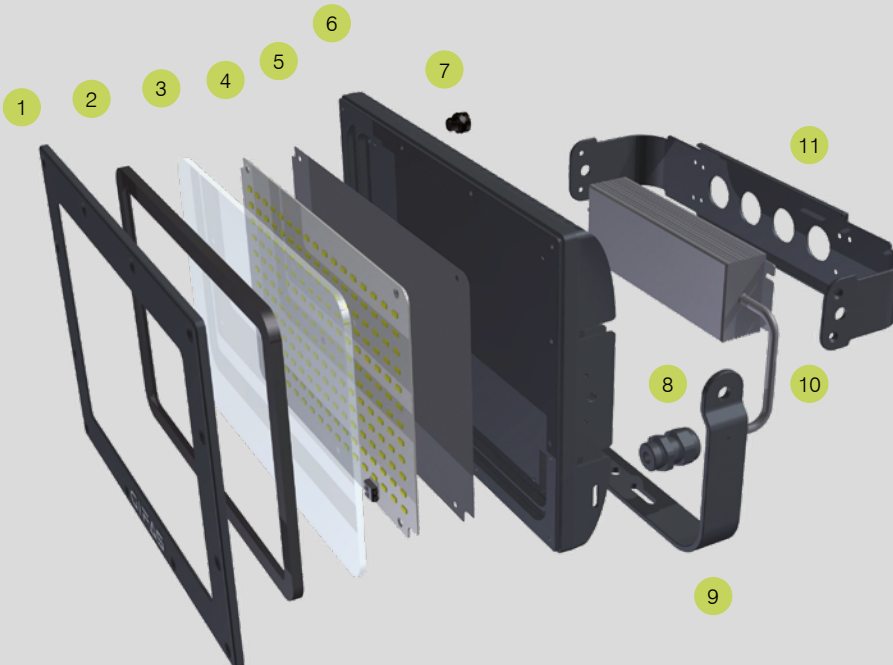
Short response times at the Neuss production plant are guaranteed, meaning we are able to meet customer requirements promptly in terms of different outputs and front panels, various cable lengths and special colour designs.

- ✓ **Made in Germany**
- ✓ **Revolutionary PTFE surface coating**
- ✓ **Optional as vibration-proof version**
- ✓ **Suitable for use in industrial premises with fire hazards (D rating label)**
- ✓ **Approved for the food industry (according to IFS)**
- ✓ **5 years warranty**

Features

- Robust housing made of corrosion-resistant die-cast aluminium
- Dirt-resistant PTFE surface coating, approved for the food industry
- Toughened safety glass (ESG) or impact resistant plastic cover (PC)
- Custom-made U-profile seal surrounding all sides
- Custom-made, durable, heat-conducting film for lasting, reliable dissipation of heat from the LED board
- Low heat generation thanks to the latest LED technology
- Pressure compensation element for extreme temperature fluctuations
- Full luminous flux is available instantly after switching on
- Low energy consumption with high light output
- Maintenance-free
- Wide operating temperature range (up to 60°C)
- No UV/IR radiation
- Vibration-resistant
- Accessories available from stock

Construction



- 1 Die-cast aluminium frame
- 2 U-profile silicon seal
- 3 Front panel (toughened glass or PC)
- 4 LED board
- 5 Heat conducting film
- 6 Die-cast aluminium housing
- 7 Pressure compensation element
- 8 Screwed cable gland
- 9 Mounting bracket
- 10 Power supply
- 11 Power supply bracket

Characteristics



Development Approach

This development is based on the need to manufacture a floodlight which merits the **MADE IN GERMANY** mark of excellence, in terms of performance and quality. With the AlphaLUXX, GIFAS has succeeded in developing a competitive LED floodlight that satisfies the highest demands and can also be used in challenging industrial sectors (for example, the food industry).

LED

The AlphaLUXX uses exclusively **high-end SMD LEDs** from reputable manufacturers, which are ideal in terms of light quality, lifespan, light colour and efficiency. The neutral, white 5000K light and the good colour rendering index of over R_a 80, match the maximum human vision in daylight and as a result the best resolution of detail.

Surface coating

Industrial lights often have problems with dirt gathering on the surface and the associated reduction in cooling capability. The **PTFE surface coating (coll. Teflon®)** on the AlphaLUXX has a very low friction coefficient. Dust and dirt literally „bead“ off the light. Even harsh acids cannot attack a PTFE coating. Improved thermal conductivity results from the four-times thinner PTFE coating, in comparison with powder coating.

Technology

The AlphaLUXX impresses with the enormous **efficiency of up to 167 lumens per watt**. Also available as a dimmable version.

Thermal management

Efficient cooling is crucial to the longevity of the LEDs and ultimately affects the whole lighting system. In order to achieve this on a long-term basis for the AlphaLUXX, several technical components have been used for optimum thermal management. These include a heat sink (housing with cooling fins) made of highly thermo-conductive die-cast aluminium, a PTFE surface with a very thin coating and heat conducting film for optimum connection of the contact areas. We can therefore ensure an **operating temperature range of up to 60° Celsius**.

Quality

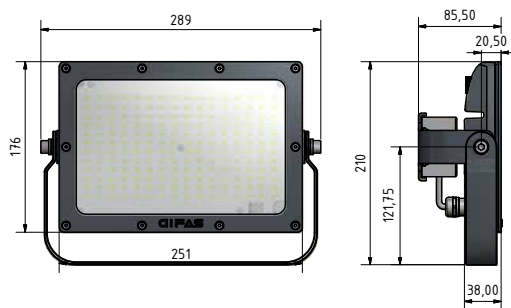
The components are selected according to the highest quality standards. High-alloy, corrosion-resistant aluminium housing (230D), stainless steel installation material (V4A), LEDs and electronics from reputable manufacturers (Seoul Semiconductor and Meanwell). Individual testing of every light in accordance with DIN EN 60598-1, certified according to ENEC. The specific coordination of the technical components attains a **service life of 80,000 hours**.

AlphaLUXX 25-60



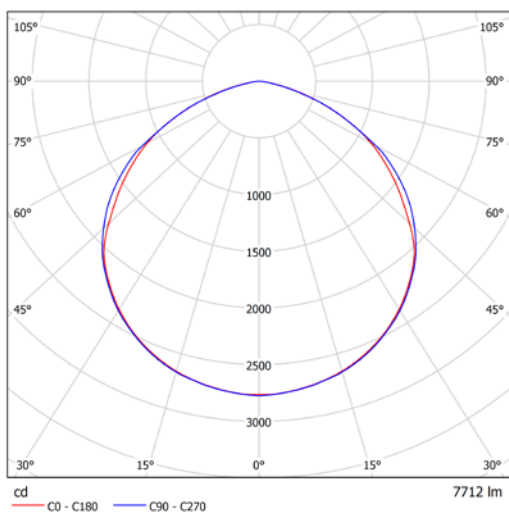
*for version with PC cover

Dimensions / Assortment / Light distribution



Art.-No.	Description
800083	AlphaLUXX/W25V230/PC clear
800075	AlphaLUXX/W40V230/PC clear
800084	AlphaLUXX/W60V230/PC clear

AlphaLUXX 60



The AlphaLUXX 25-60 is the practical version for mobile use and convinces with its quality, performance and handling.

Technical data

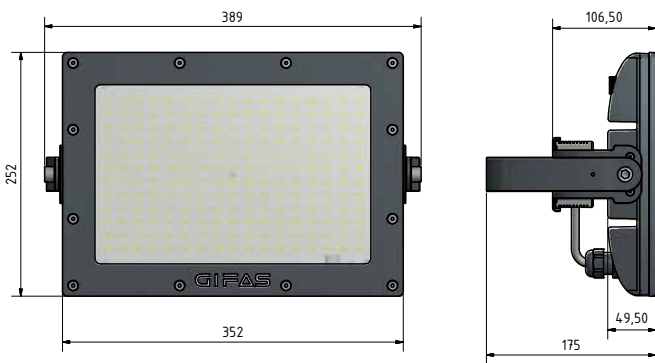
Input voltage	100-277 VAC (50/60Hz)
Light source	SMD-LEDs
Version	25 / 40 / 60
System performance	25W / 40W / 60W
Lighting current	3550lm / 5500lm / 7800lm
System Efficiency	142lm/W / 138lm/W / 130lm/W
Light colour	5000K
Beam angle	120°
CRI	Ra > 80
Operating life	[L70/B10] > 80000h
Protection category	IP65
Protection class	I
Shock resistance	IK10 (Version: PC cover)
Light control	optional 1~10V dimming optional DALI interface
Operating range of temperature	25W -30°C bis +60°C 40W -30°C bis +55°C 60W -30°C bis +50°C
Max. surface temperature	+90°C (suitable for use in industrial premises with fire hazards), D rating label
Housing	Die-cast aluminium, alloy 230D
Housing surface	PTFE-coated (approved for the food industry)
Housing colour	black (other colours also available)
Cover	3mm PC clear, optional 3mm PC satin finish or 3mm ESG clear or satin finish
Weight	approx. 2,7kg
Measurements (LxWxH)	289x176x85,5mm
Certification	ENEC, CE, IK10 (suitable for food industry)

AlphaLUXX 80-120



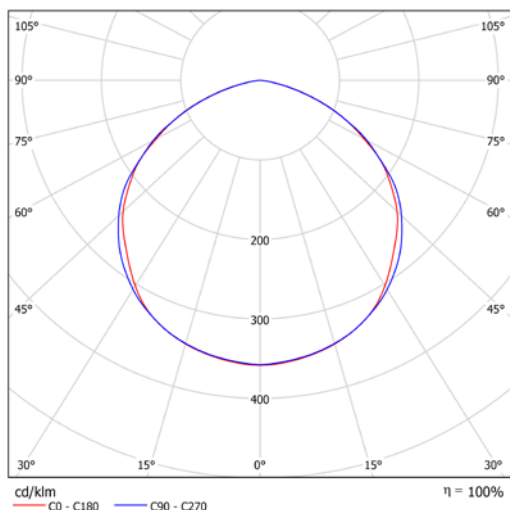
*for version with PC cover

Dimensions / Assortment / Light distribution



Art.-No.	Description
800049	AlphaLUXX/W80V230/ESG clear
800048	AlphaLUXX/W100V230/ESG clear
800043	AlphaLUXX/W120V230/ESG clear

AlphaLUXX 120



The AlphaLUXX 80-120 boasts impressive efficiency and is also available as a dimmable version.

Technical data

Input voltage	100-277 VAC (50/60Hz)
Light source	SMD-LEDs
Version	80 / 100 / 120
System performance	86W / 111W / 128W
Lighting current	12800lm / 16500lm / 18700lm
System Efficiency	149lm/W / 149lm/W / 146lm/W
Light colour	5000K
Beam angle	120°
CRI	Ra >80
Operating life	[L70/B10] > 80000h
Protection category	IP65
Protection class	I
Shock resistance	IK10 (Version: PC cover)
Light control	optional 1~10V dimming optional DALI interface
Operating range of temperature	80W -30°C bis +60°C 100W -30°C bis +55°C 120W -30°C bis +50°C
Max. surface temperature	+90°C (suitable for use in industrial premises with fire hazards), D rating label
Housing	Die-cast aluminium, alloy 230D
Housing surface	PTFE-coated (approved for the food industry)
Housing colour	black (other colours also available)
Cover	5mm ESG clear, optional 5mm ESG satin finish or 5mm PC clear or satin finish
Weight	approx. 7,0kg
Measurements (L x W x H)	389x252x106,5mm
Certification	ENEC, CE, IK10 (suitable for food industry)

DeltaLUXX

The flexible high bay lighting of GIFAS!!

DESIGNED, DEVELOPED and PRODUCED by GIFAS



- ✓ Made in Germany
- ✓ For applications with high light points
- ✓ Sleek, modern industrial design
- ✓ Optional with optics for a wide range of applications
- ✓ Suitable for use in industrial premises with fire hazards (D rating label)
- ✓ Approved for the food industry (according to IFS)
- ✓ 5 years warranty



The flexible high bay lighting of GIFAS offer an impressive design and provides a variety of functions. The efficient thermal management of these High Bay lights, which ensures adequate cooling even in dust and dirt-prone environments, supports the modern and efficient LED technology used, with its lifespan of at least 80,000 hours. Thanks to optional DALI and 1-10V dimmer interfaces, the DeltaLUXX models can be integrated into intelligent lighting systems.

Thanks to high-performance LEDs, the DeltaLUXX boast superlative lighting efficiency, especially in hard-to-illuminate areas with high-up lighting installations. With an external diameter of 450 millimetres, 180 high-end LEDs and high-quality individual single lenses with various beam characteristics, they can be used in halls up to 25 metres in height.

With their cast aluminium housing, special PTFE non-stick coating for minimum dust and dirt build-up, a pressure equalisation membrane and the use of sturdy polycarbonate panes with increased shatter protection or single-pane safety glass, the DeltaLUXX delivers reliable performance in environmental temperatures of up to 60° Celsius.

DeltaLUXX impresses with its modern, industrial design and sleek shapes.



Characteristics

**Development Approach**

This development is based on the need to manufacture a High Bay lighting which merits the **MADE IN GERMANY** mark of excellence, in terms of performance and quality. With the DeltaLUXX, GIFAS has succeeded in developing a competitive LED High Bay lighting that satisfies the highest demands and can also be used in challenging industrial sectors.

LED-Technology

The DeltaLUXX uses exclusively **high-end SMD LEDs** from reputable manufacturers, which are ideal in terms of light quality, lifespan, light colour and efficiency. For efficient light distribution high-quality optics are installed. The neutral, white 5000K light and the good colour rendering index of over R_a 80, match the maximum human vision in daylight and as a result the best resolution of detail.

Surface coating

Industrial lights often have problems with dirt gathering on the surface and the associated reduction in cooling capability. The **PTFE surface coating (coll. Teflon®)** on the AlphaLUXX has a very low friction coefficient. Dust and dirt literally „bead“ off the light. Even harsh acids cannot attack a PTFE coating. Improved thermal conductivity results from the four-times thinner PTFE coating, in comparison with powder coating.

Technische Ausführung

The DeltaLUXX impresses with **enormous system efficiency and high lighting quality**. Through optional DALI and 1-10V dimming interfaces, the luminaire can be integrated into intelligent lighting systems.

Thermal management

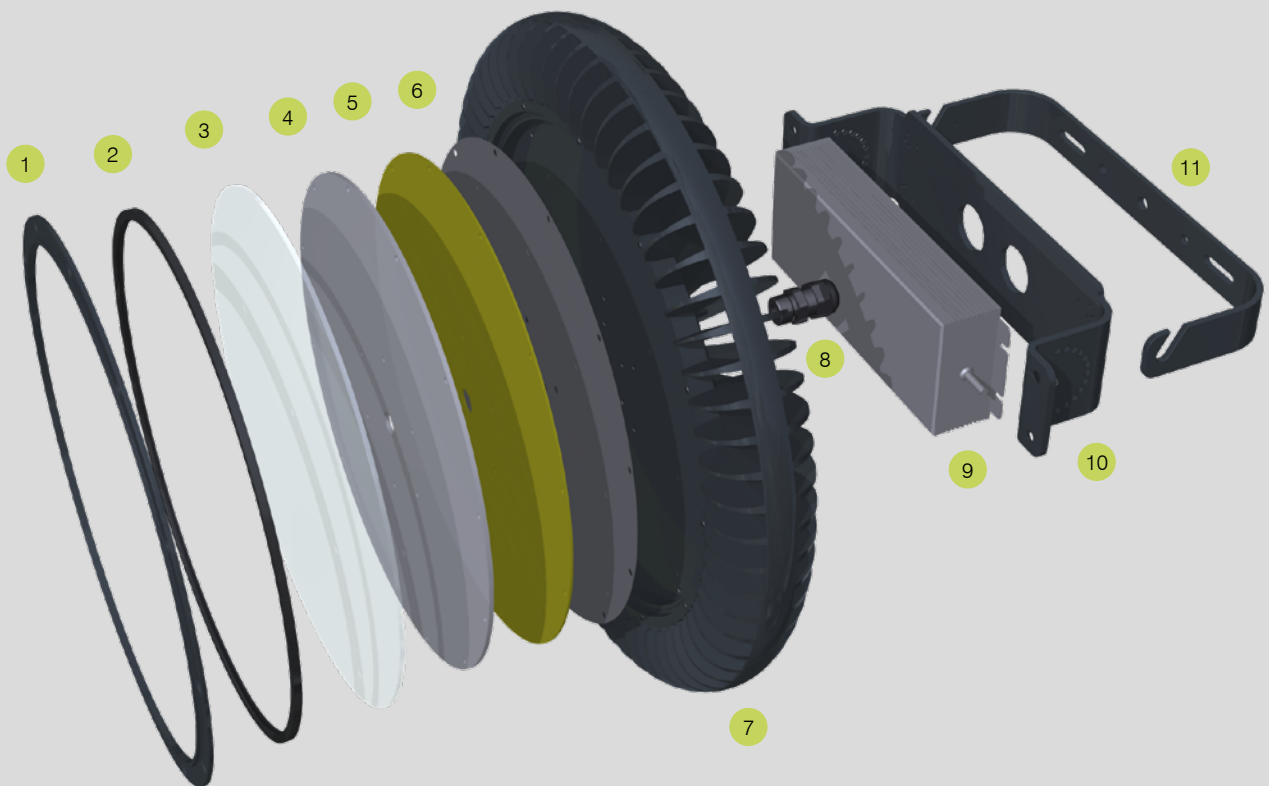
Efficient cooling is essential for the LEDs' long service life and ultimately affects the entire lighting system. To achieve this long-term for DeltaLUXX, high-quality technical components were combined with a sophisticated design. The external open ring ensures dissipation of the heat generated, even with high levels of dirt. The design, coupled with an extra-thin coating and heat conduction foil to ensure maximum contact between surfaces, delivers an ambient **operating temperature range of up to 60° Celsius and a lifespan of at least 80,000 hours**.

Quality

The components are selected according to the highest quality standards. High-alloy, corrosion-resistant aluminium housing (230D), stainless steel installation material (V4A), LEDs and electronics from reputable manufacturers. **Individual testing of every light in accordance with DIN EN 60598-1, certified according to ENEC.**

Construction

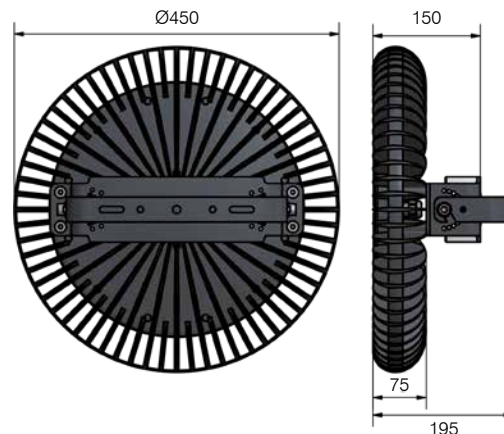
- | | |
|---------------------------------------|---------------------------------------------------|
| 1 Die-cast aluminium frame | 7 Die-cast aluminium housing |
| 2 U-profile silicon seal | 8 Cable gland with pressure compensation function |
| 3 Front panel (PC or toughened glass) | 9 Power supply |
| 4 Optic | 10 Power supply bracket |
| 5 LED board | 11 Mounting bracket |
| 6 Heat conducting film | |



Features

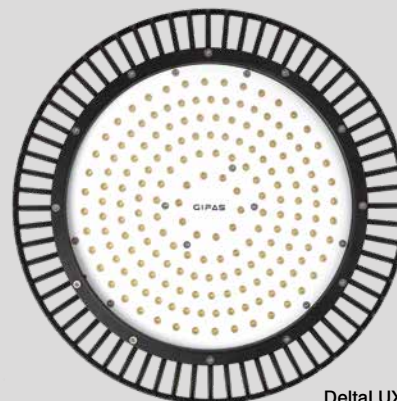
- Robust housing made of corrosion-resistant die-cast aluminium
- Dirt-resistant PTFE surface coating, approved for the food industry
- 3mm impact resistant plastic cover (PC) or 3mm toughened safety glass (ESG)
- Custom-made U-profile seal surrounding all sides
- Custom-made, durable, heat-conducting film for lasting, reliable dissipation of heat from the LED board
- Low heat generation thanks to the latest LED technology
- Pressure compensation element for extreme temperature fluctuations
- Full luminous flux is available instantly after switching on
- Low energy consumption with high light output
- Maintenance-free
- Wide operating temperature range (up to 60°C)
- No UV/IR radiation
- Vibration-resistant
- Accessories available from stock
- Various directional characteristics available

Dimensions

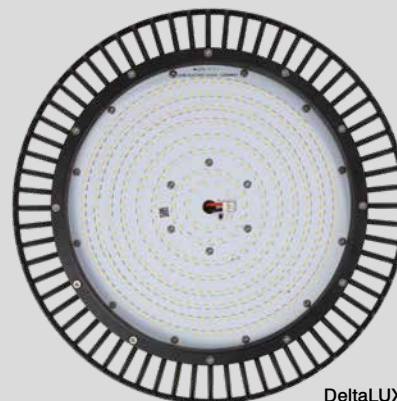


Technical data

Input voltage	100-277VAC (50/60Hz)
Light source	SMD-LEDs
System performance	164W / 215W / 264W
Lighting current	22400lm / 28100lm / 32400lm
System Efficiency	137lm/W / 131lm/W / 123lm/W
Light colour	5000K
CRI-Index	Ra >80
Beam angle	open distribution (120°), wide+ (~75°), wide (~50°), medium (~30°), narrow (~20°)
Operating life	[L70/B10] > 80000h
Protection category	IP65
Protection class	I
Shock resistance	IK08 (Version: PC cover)
Light control	optional 1~10V dimming optional DALI interface
of temperature	Operating range 150W -30°C to +60°C 200W -30°C to +55°C 240W -30°C to +50°C
Max. surface temperature	+90°C (suitable for use in industrial premises with fire hazards), D rating label
Housing	Die-cast aluminium
Housing surface	PTFE-coated (approved for the food industry)
Housing colour	black
Cover	3mm PC clear, optional 3mm ESG (Vision)
Weight	ca. 9,5kg
Measurements (ØxH)	450x195mm
Certification	ENEC, CB, CE, D rating label



DeltaLUXX with optic



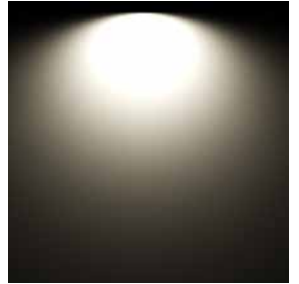
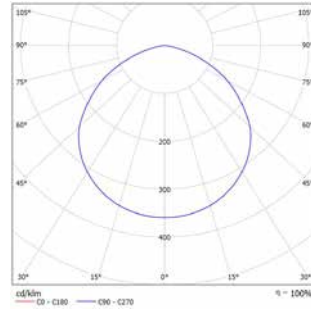
DeltaLUXX open distribution



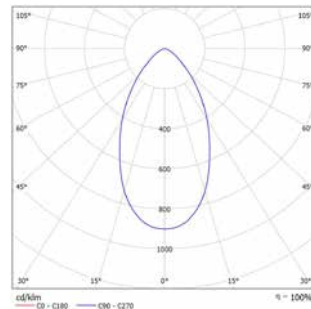
*for versions with PC cover

Range / Light distribution

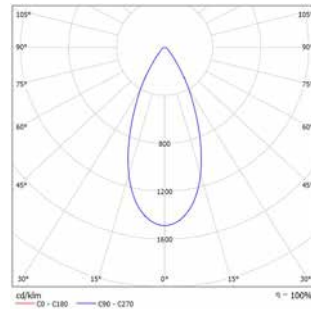
Art.-No.	Description
800085	DeltaLUXX/W150V230/120°/PC clear
800104	DeltaLUXX/W200V230/120°/PC clear
800105	DeltaLUXX/W240V230/120°/PC clear
800155	DeltaLUXX/W150V230/120°/ESG clear
800156	DeltaLUXX/W200V230/120°/ESG clear
800157	DeltaLUXX/W240V230/120°/ESG clear



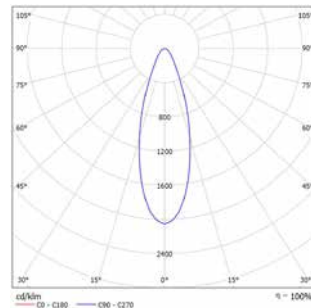
Art.-No.	Description
800121	DeltaLUXX/W150V230/~75°/PC clear
800122	DeltaLUXX/W200V230/~75°/PC clear
800123	DeltaLUXX/W240V230/~75°/PC clear
800167	DeltaLUXX/W150V230/~75°/ESG clear
800168	DeltaLUXX/W200V230/~75°/ESG clear
800169	DeltaLUXX/W240V230/~75°/ESG clear



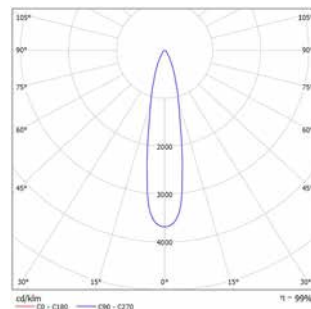
Art.-No.	Description
800118	DeltaLUXX/W150V230/~50°/PC clear
800119	DeltaLUXX/W200V230/~50°/PC clear
800120	DeltaLUXX/W240V230/~50°/PC clear
800164	DeltaLUXX/W150V230/~50°/ESG clear
800165	DeltaLUXX/W200V230/~50°/ESG clear
800166	DeltaLUXX/W240V230/~50°/ESG clear



Art.-No.	Description
800115	DeltaLUXX/W150V230/~30°/PC clear
800116	DeltaLUXX/W200V230/~30°/PC clear
800117	DeltaLUXX/W240V230/~30°/PC clear
800161	DeltaLUXX/W150V230/~30°/ESG clear
800162	DeltaLUXX/W200V230/~30°/ESG clear
800163	DeltaLUXX/W240V230/~30°/ESG clear



Art.-No.	Description
800112	DeltaLUXX/W150V230/~20°/PC clear
800113	DeltaLUXX/W200V230/~20°/PC clear
800114	DeltaLUXX/W240V230/~20°/PC clear
800158	DeltaLUXX/W150V230/~20°/ESG clear
800159	DeltaLUXX/W200V230/~20°/ESG clear
800160	DeltaLUXX/W240V230/~20°/ESG clear



Art.-No.	Description
289860	DeltaLUXX.arresting cable 1,0m
286503	Cable connector 2P+PE IP68

GET IN TOUCH WITH US



News about the assortment and specific solutions
you can find on our website:

www.gifas.de

GIFAS
ELECTRIC

GIFAS ELECTRIC GmbH
Borsigstrasse 9
41469 Neuss
GERMANY

+49 2137 105-0
+49 2137 105-230
verkauf@gifas.de
www.gifas.de

We reserve the right to make technical modifications 02/2018