



### POWER FOR ALL REQUIREMENT.

Energy poles from GIFAS easily distribute the right amount of power, right where you need it. Our range of models blend into their environment seamlessly and harmoniously. They offer a reliable power supply whenever needed, tailored to your own specific requirements. Made in Germany.

Energy columns	142
Power bollards	144
Use cases	148

# Energy columns



## GAS 160



Front



Reverse with compressed air and data socket

### Product features

- Suitable for indoor and outdoor use
- Closed aluminium profile
- Sturdy design, excellent stability
- Corrosion-free
- Surface impervious to dirt
- Individual equipment on all 4 sides
- Separator plate to separate various power circuits
- Customer-specific equipment
- All kinds of drilling patterns and use of single or multiple frames are possible
- Ceiling connection variant for vertical connection technology
- Can be equipped up to a height of 6m

### Technical data

Material	anodised aluminium
Protection category	Fastening material V2A IP54 = splashproof (with corresponding built-in elements)
Dimensions	160x110mm closed aluminium profile length as per the customer's wishes up to 6m
Equipment	as per the customer's wishes on all four sides
Colour	anodised silver other RAL colours available upon request
Terminal blocks	up to 16mm <sup>2</sup> 5-pole, L1, L2, L3, N, PE mounted on carrying rail system
Base plate included	4 fastening screws DIN 7991.M8.40.VA 4 brass dowels

### Possible connection combinations:

- Electricity
- Water
- Compressed air
- Video, audio
- Data and telephone combinations
- Low-voltage combinations
- CEE surface-mounted sockets up to 63A etc.

### GAS 160 product range

Height in mm	Protection category	Drill holes	
		Side A	Side B
200	IP 20	2	
200	IP 54	2	
200	IP 20	2	2
200	IP 54	2	2
300	IP 20	2	
300	IP 54	2	
300	IP 20	2	2
300	IP 54	2	2
300	IP 20	3	
300	IP 54	3	
300	IP 20	3	3
300	IP 54	3	3
500	IP 20	3	
500	IP 54	3	
500	IP 20	3	3
500	IP 54	3	3
500	IP 20	5	
500	IP 54	5	
500	IP 20	5	5
500	IP 54	5	5

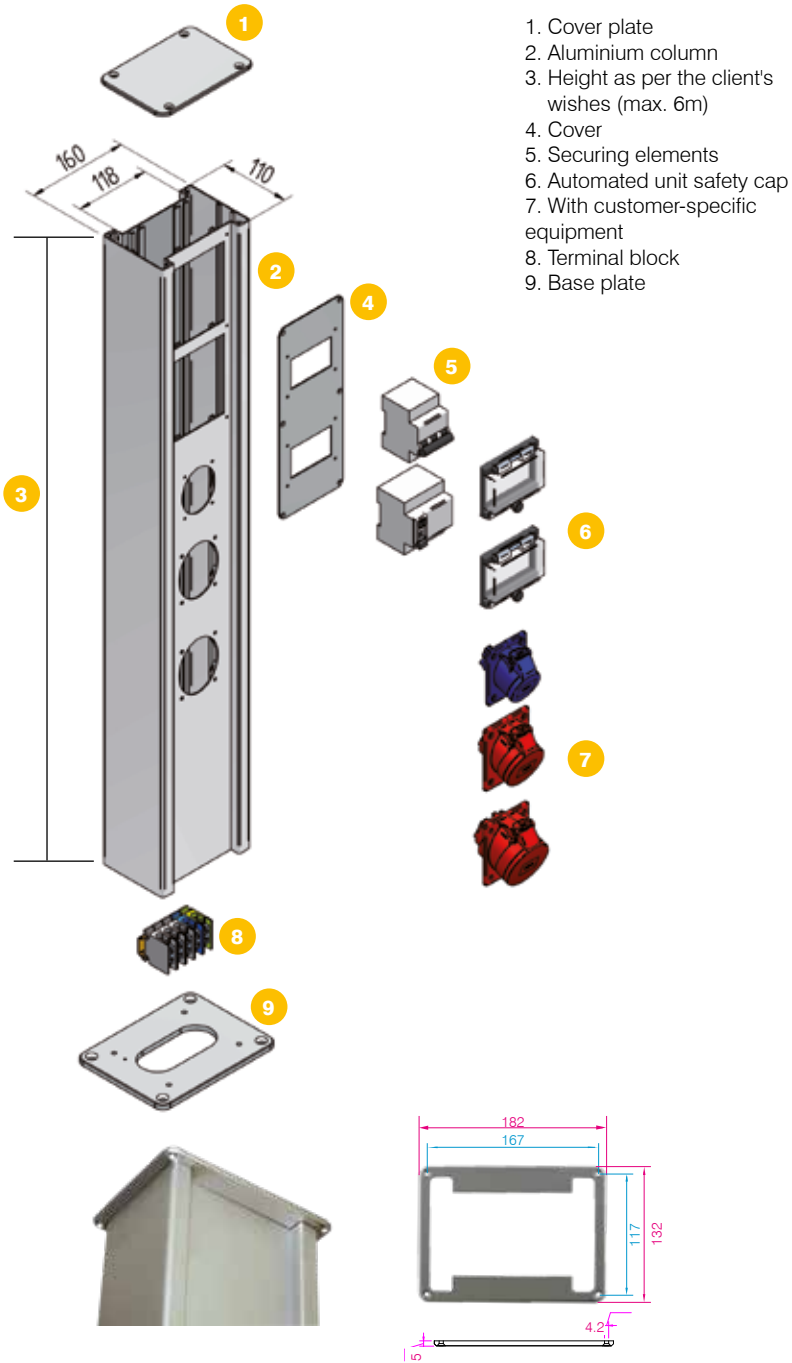
Article numbers on request

### Supplied package

- Aluminium column
- Base and cover plate
- Terminal block up to 16mm<sup>2</sup>
- Fastening screws for the standard device range
- Fastening screws for the base plate incl. dowel
- Also equipped as necessary (CEE built-in sockets, fuses, etc.)

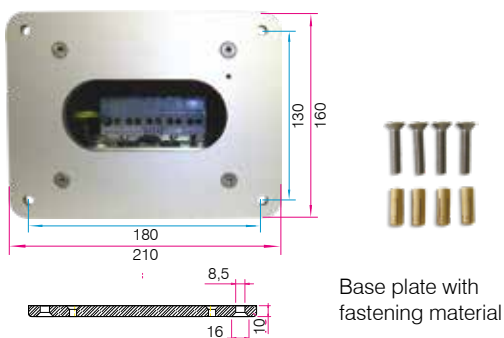
Other designs available upon request.

**GAS 160 structure**



1. Cover plate
2. Aluminium column
3. Height as per the client's wishes (max. 6m)
4. Cover
5. Securing elements
6. Automated unit safety cap
7. With customer-specific equipment
8. Terminal block
9. Base plate

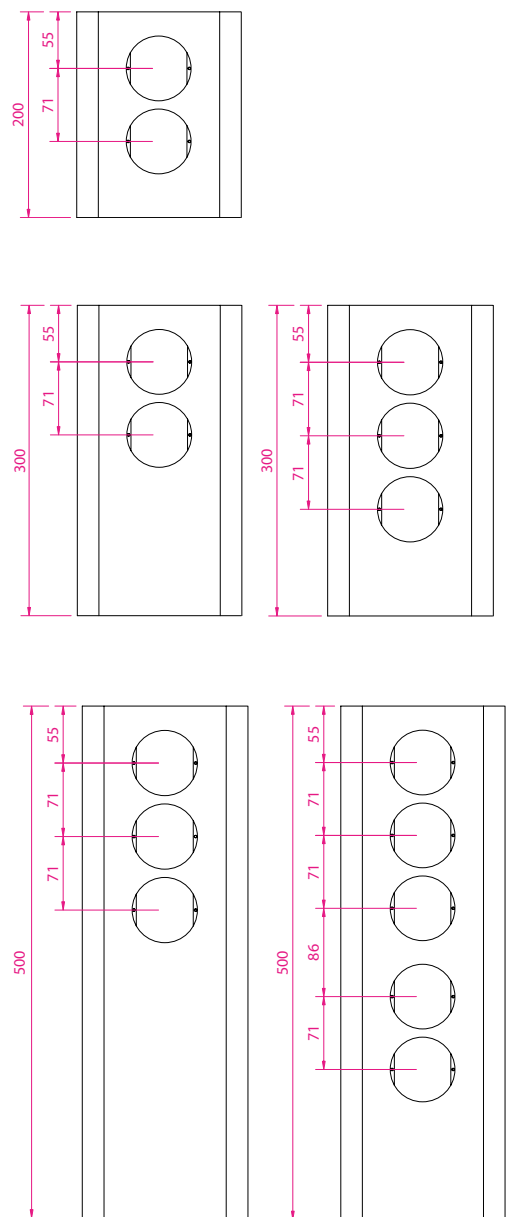
Cuff for double covers and double bases



Base plate with fastening material

**GAS 160 drilling patterns**

Hole size Ø	Equipment
63mm	Standard 10/16 A devices, 230V Communication technology (TCU)
68mm	Standard 10/16 A devices, 230V (cavity wall socket)
45mm	Protective contact socket with flap cover
61mm	CEE built-in socket 5x16A, 400V CEE built-in socket 5x32A, 400V



# Power bollards



## RONDO 200 / 300



Series 200

## NORDSEE



Series 300

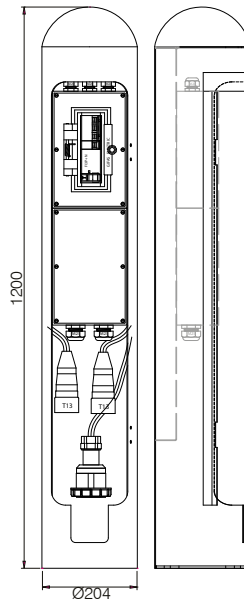
The RONDO columns are lockable, can be custom-equipped and offer excellent protection against vandalism. When closed, energy is drawn via the cable outlet flap below the doors. A flange plate allows the column to be mounted on a base outlet and then connected to the grid. The RONDO column has a facility for the distributor housing in which the electrical distribution is integrated. Other connections (water, air, etc.) can also be integrated. Also useful as transit protection and route securing in combination with a secure and problem-free energy supply.

### Product features

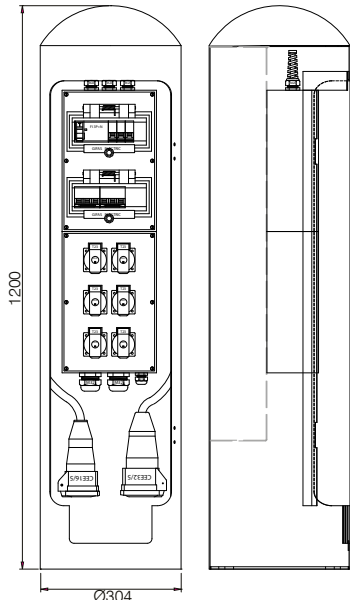
- Customised distributor equipment (solid rubber distributor) as per the customer's wishes, technical specifications and requirements
- Securing material installed under impact-resistant Macrolon cover
- Excellent operating safety and protection against unauthorised access and vandalism

### Technical data

Dimensions	Ø=204xH=1200mm RONDO 200 Ø=304xH=1200mm RONDO 300
Weight	approx. 25kg RONDO 200 approx. 45kg RONDO 300
Material	V2A stainless steel construction, powder-coated
Power supply	built into the bollard
Lock	door lockable with a cylinder lock
Colour	available in all RAL colours Special colours are available on request.



RONDO 200



RONDO 300

Item no.	Description	Input	Output	Installations / design
278997	RONDO 300 RAL 6028, pine green	2 M40 cable glands 1 10-pole terminal block	2 CEE built-in sockets 5x32A/400V 2 230V protective contact sockets 1 63/0.03A leakage current circuit breaker switch	1 3/4" water connection with ball cock Protective devices located behind 1 transparent protective cap
277481	RONDO 300 RAL 9007 grey aluminium	2 M40 cable glands 1 5-pole terminal block	1 CEE built-in socket 5x32A/400V 1 CEE built-in socket 5x16A/400V 2 230V protective contact sockets 1 63/0.03A leakage current circuit breaker switch 1 40/0.03A leakage current circuit breaker switch	1 3/4" water supply connection with ball shutoff cock 1 4 A 1-pole circuit breaker switch Heating strip as frost protection for the water connection Protective devices located behind 2 transparent protective caps
248539	RONDO 200 RAL 9007 grey aluminium	1 M40 cable gland 1 5-pole terminal block	1 CEE connector 5x32A/400V 2 230V protective contact plug connectors 1 63/0.03A leakage current circuit breaker switch	Protective devices located behind 1 transparent protective cap

Other designs available upon request.



**NORDSEE**



The NORDSEE power bollard can be used for various outdoor applications and blends in perfectly with its surroundings. The NORDSEE power bollard is safe from vandalism and, thanks to the compact internal solid rubber distributor, the column is ideally suited for harsh environments. The flexible cable outlet flap means that external influences can be reduced to a minimum, even during operation.

**Product features**

- Sturdy stainless steel design
- Individual distributor equipment (solid rubber distributor) as per the customer's wishes
- Securing material installed under impact-resistant Macrolon cover
- Service door with cylinder lock

**Technical data for distributor 7900**

Protection category	IP54
Power supply	built into the column
Dimensions (WxHxD)	360x500x173mm

**Technical data for bollard**

Protection category	IP65 with closed cable feed
Material	V4A stainless steel construction, powder-coated
Lock	lockable door with cylinder lock
Dimensions (WxHxD)	500x1500x450mm
Total weight	120kg

Item no.	Input	Output	Installations / design
272085	1 M32 cable gland 1 5-pole terminal block	1 CEE built-in socket 5x63A/400V 1 CEE built-in socket 5x32A/400V 2 CEE built-in sockets 5x16A/400V 6 230V protective contact sockets 1 63/0.03A leakage current circuit breaker switch	1 digital three-phase current meter Protective devices located behind 2 transparent protective caps
278956	1 M63 cable gland 1 5-pole terminal block	1 CEE built-in socket 5x63A/400V 1 CEE built-in socket 5x32A/400V 1 CEE built-in sockets 5x16A/400V 3 230V protective contact sockets 1 63/0.03A leakage current circuit breaker switch	1 3/4" water connection with DVGW approval Protective devices located behind 1 transparent protective cap

Other designs available upon request.

# Power bollards



## QUADRO

QUADRO – the clever solution. The QUADRO can be used for many outdoor applications and optically fits perfectly into the environment. QUADRO has perfect vandal-proof design, and thanks to the compact internal rubber distributor the column is also ideally suited to very rough environments.

Thanks to the flexible cable outlet flap, outside influences can also be reduced to a minimum during operation.

### Product features

- Modular configuration
- Three possible cover versions
- Various power distribution options
- Individual lock versions

### Technischal data power distributor 7900

Protection category IP54  
 Power supply Built into column  
 Dimensions (WxHxD) 360x500x173mm

### Technischal data power bollard

Protection category IP65 with closed cable entry  
 Material V4A stainless steel construction, optionally powder-coated  
 Attachment Floor flange  
 Lock Door lockable with cylinder lock / 4-sided  
 Dimensions (WxHxD) 320x1100x320mm



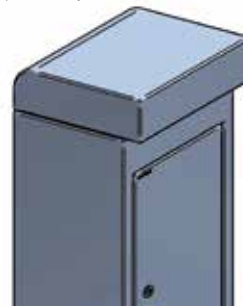
without lighting



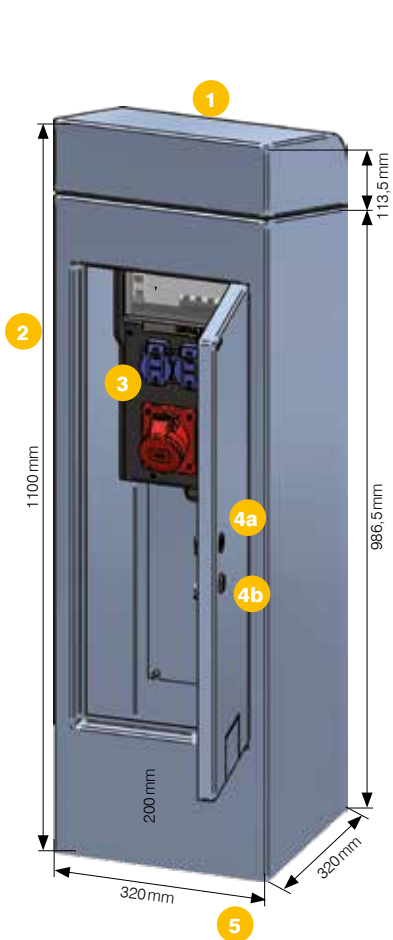
diffuse lighting



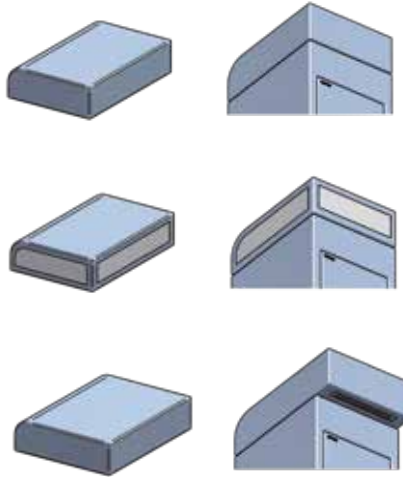
LED lighting  
(vertically directed downwards)



Item no.	Description	Locks	Equipment
on request	QUADRO without lighting	Cylinder lock / square	unequipped
on request	QUADRO without lighting	Cylinder lock / square	Distributor Series 7400, 3x safety plug, 1xCEE 16A/400V, 1xCEE 32A/400V
on request	QUADRO with diffuse lighting	Cylinder lock / square	Distributor Series 7400, 3x safety plug, 1xCEE 16A/400V, 1xCEE 32A/400V
on request	QUADRO with LED lighting	Cylinder lock / square	Distributor Series 7400, 3x safety plug, 1xCEE 16A/400V, 1xCEE 32A/400V
on request	Floor flange to QUADRO		



1 Cover module



**Cover module without lighting**

- Classic cover version
- Vandal-proof, sturdy, no maintenance

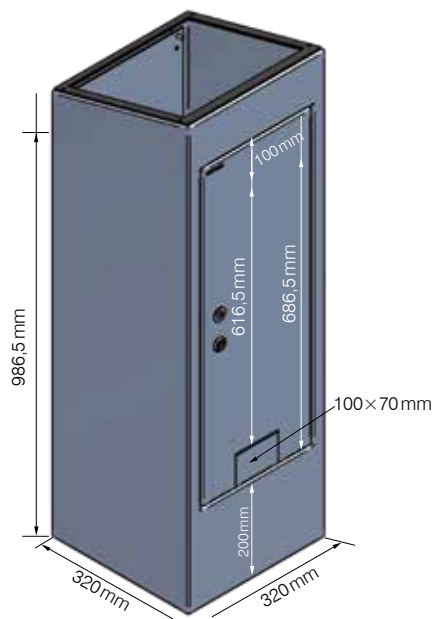
**Cover module with diffuse lighting**

- Illumination of QUADRO on three surrounding sides using muted light
- No glare, discreet illumination of environment

**Cover module with LED lighting**

- Lighting of front of QUADRO with latest LED lighting
- Power-saving, energy-conscious
- High visibility column

2 Column module



3 Power distributor

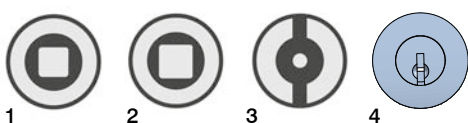
(can be individually equipped up to series 7400)



4 Locking

4a Top lock (e.g. cylinder lock)

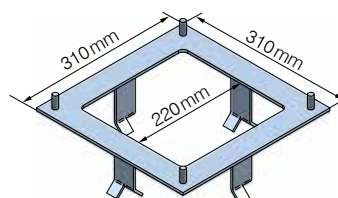
4b Lower lock (e.g. square)



1. Square lock 6 mm
2. Square lock 8 mm
3. Double-bit lock
4. KABA 5000 type lock

5 Floor flange

- Ideal for installation in solid base (e.g. concrete)
- Fast installation possible
- Easy levelling possible



## GAS 160





GAS 160



## RONDO





RONDO / NORDSEE / QUADRO



## **WE ARE EXPERTS IN YOUR FIELD**

Public sector

Industrial sector

Transportation

**Energy columns  
Power bollards**

**Online products available  
at [www.gifas.de/en](http://www.gifas.de/en)**

Find the suitable product  
solution for you on our  
website and read all the  
latest news about our  
products.

