



LOOKING FOR NEW EXTENSIONS.

If you need flexible power distribution on site, GIFAS cable reels ensure that you have power exactly where it is needed. They can be fitted out as required and come with reel bodies made of solid rubber, plastic or sheet steel. Our products are designed to be handled roughly in heavy industry - tried and tested for over 60 years. Quality down-the-line.

Solid rubber cable reels	166
Sheet steel cable reels	169
Plastic cable reels	172
Pull-out cable reels	174
Hose reels	180
Use cases	182

Solid rubber cable reels



Series 501



K2



With residual current protection device PRCD-S

Product features

- Solid, halogen-free solid rubber reel bodies, full protective insulation
- Stable steel tube frame, zinc-plated and black powder-coated
- GIFAS PROFLEXX H07 cable
- High mechanical stability
- UV and weather resistant
- Impact-resistant, ageing-resistant and maintenance-free
- Ergonomic shape, good carrying comfort
- With thermal overload protection
- Internal wedge brake
- With insulating handle coating (BGI 608)
- Built in accordance with VDE 0620 Part 300
- K2-identification



With halogen headlights and 120 VA/24 V transformer



Securing of the plug outlet in the winding mechanism

Technical data

Dimensions	WxHxD= 250x345x205mm
Dimensions of reel body	Ø 240mm, width 110mm
Weight (without cable)	approx. 3.7kg
Protection category	IP54
Protection class	II



Individual components



Internal wedge brake

Capacities

- 2x1.0mm² / 35m
- 2x1.5mm² / 25m
- 3x1.0mm² / 30m
- 3x1.5mm² / 25m
- 5x1.5mm² / 20m

Item no.	Input	Output	Fuses	Symbols
259764	20m 3x1.5mm ² with protective contact plug	3 protective contact sockets		
255873	25m 3x1.5mm ² with protective contact plug	3 protective contact sockets		
259199	20m 3x1.5mm ² with protective contact plug	3 protective contact sockets	Personal safety switches PRCD-S 16/0.03A	
259804	25m 3x1.5mm ² with protective contact plug	3 protective contact sockets	Personal safety switches PRCD-S 16/0.03A	
259805	5m 2x1.5mm ² with contour plug	25m 2x2.5 mm ² with hand-held halogen headlight spotlight 100W/24V	5A microfuse	
259807	5m 2x1.5mm ² with contour plug	25m 2x2.5 mm ² with hand-held halogen headlight broad beam 75W/24V	5A microfuse	

All components can be supplied as spare parts. Other equipment options available upon request.

502 series



K2 CE T



With residual current protection device PRCD-S

Product features

- Solid, halogen-free solid rubber reel bodies, full protective insulation
- Stable steel tube frame, zinc-plated and black powder-coated
- GIFAS PROFLEX H07 cable
- High mechanical stability
- UV and weather resistant
- Impact-resistant, ageing-resistant and maintenance-free
- Ergonomic shape, good carrying comfort
- With thermal overload protection
- Internal wedge brake
- With insulating handle coating (BGI 608)
- Built in accordance with VDE 0620 and 0623 Part 300 and 100
- K2-identification

Technical data

Dimensions	WxHxD=300x410x230 mm
Dimensions of reel body	Ø 300mm
Weight (without cable)	approx. 4.0kg
Protection category	IP54
Protection class	II

Capacities

- 3x1.5mm² / 50m
- 5x1.5mm² / 40m
- 5x2.5mm² / 30m



PRCD-S



Internal wedge brake

Item no.	Input	Output	Fuses	Symbols
253882	50m 3x1.5 mm ² with protective contact plug	3 protective contact sockets		
259808	50m 3x1.5 mm ² with protective contact plug	3 protective contact sockets	Personal safety switch PRCD-S 16/0.03A	
259809	50m 3x1.5 mm ² with protective contact plug	4 protective contact sockets	RCCB 25/0.03A 2p	
259594	30m 5x2.5 mm ² with CEE 5x16A/400V	2 protective contact sockets 1 CEE 5x16A/400V		
259869	40m 3x2.5 mm ² with protective contact plug	3 protective contact sockets	Personal safety switches PRCD-S 16/0.03A	
259907	35m 3x2.5 mm ² with protective contact plug	3 protective contact sockets	Personal safety switches PRCD-S 16/0.03A	
259808	50m 3x1.5 mm ² with protective contact plug	3 protective contact sockets	Personal safety switches PRCD-S 16/0.03A	
261560	50m 3x1.5 mm ² with protective contact plug	4 protective contact sockets	Personal safety switches PRCD-S 16/0.03A	

All components can be supplied as spare parts. Other equipment options available upon request.

Solid rubber cable reels

503 series



Can be driven over by transport trolleys. Cable reel with protection and thermal overload protection. Protective device located behind 2 transparent protective caps.

Product features of cable reels

- Solid, halogen-free solid rubber reel bodies, full protective insulation
- Stable steel tube frame, zinc-plated and black powder-coated
- GIFAS PROFLEXX H07 cable
- High mechanical stability
- UV and weather resistant
- Impact-resistant, ageing-resistant and maintenance-free
- Ergonomic shape, good carrying comfort
- With thermal overload protection
- Internal wedge brake
- With insulating handle coating (BGI 608)
- Built in accordance with VDE 0620 and 0623 Part 300 and 100
- K2-identification

Technical data

Dimensions	WxHxD=340x480x300mm
Dimensions of reel body	Ø 350mm
Weight (without cable)	approx. 5.5kg
Protection category	IP54
Protection class	II

Capacities

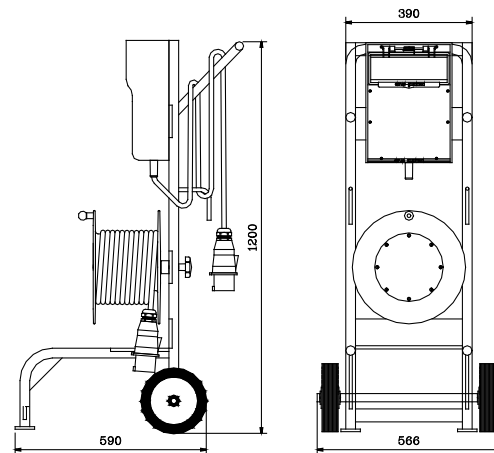
- 3x1.5mm²/ 90m
- 5x1.5mm²/ 70m
- 5x2.5mm²/ 50m
- 5x4.0mm²/ 30m
- 5x6.0mm²/ 25m

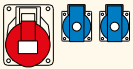
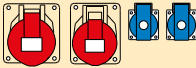
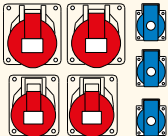
Product features of transport trolleys

- Solid, stable transport trolley with low-lying centre of gravity
- Black powder-coated
- Solid rubber tyres diam. 200mm bearing-mounted

Technical data for transport trolleys

Dimensions	HxWxD= 1200x590x566 mm
Weight (complete)	approx. 70.0 kg



Item no.	Description	Input	Output	Fuses	Symbols
254911	Solid rubber cable reel 503	50m 5x2.5 mm ² with CEE 5x16A/400V	1 CEE 5x16A/400V 2 protective contact sockets	No fuse	
255370	Solid rubber cable reel 503	35m 5x6.0 mm ² with CEE 5x32A/400V	1 CEE 5x32A/400V 1 CEE 5x16A/400V 2 protective contact sockets	MCB 16A 3p C MCB 16A 1p C RCCB 40/0.03A/4p	
249591	Transport trolley comprising solid rubber distributor 7800 and solid rubber reel body 503 to hold supply cable	25m 5x6.0 mm ² with CEE 5x32A/400V	2 CEE 5x32A/400V 2 CEE 5x16A/400V 3 protective contact sockets	Neozed 25A Neozed 16A MCB 16A 1p B RCCB 40/0.03A/4p	

All components can be supplied as spare parts. Other equipment options available upon request.

504 series



Transport trolley for cable reel 504

Product features of cable reels

- GIFAS PROFLEXX H07 cable
- "Traffic-light red" signal colour, RAL 3020
- Supporting frame and reel body made from powder-coated steel tubing
- Shaft and inner tube made from A2 stainless steel
- Sophisticated construction - stable design
- With thermal overload protection

Technical data

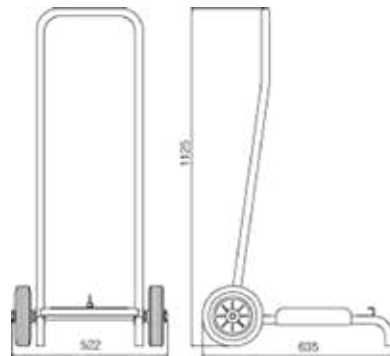
Dimensions	WxHxD=440x572x360 mm
Dimensions of reel body	Ø 440mm, width 280mm
Empty weight	approx. 10.5kg
Protection category	IP X4

Capacities

- 5x2.5mm²/ 100m
- 5x6.0mm²/ 50m
- 5x10.0mm²/ 35m

Product features of transport trolleys

- Solid, stable transport trolley with low-lying centre of gravity
- Black powder-coated
- Solid rubber tyres diam. 200 mm bearing-mounted



Item no.	Description	Input	Output	Fuses	Symbols
233355	Sheet steel cable reel 504	50m 5x6.0 mm ² with CEE 5x32A/400V	2 CEE 5x32A/400V 2 protective contact sockets	RCCB/MCB 16/0.03A 2p C	
233778	Sheet steel cable reel 504	50m 5x6.0 mm ² with CEE 5x32A/400V	2 CEE 5x32A/400V		
238126	Sheet steel cable reel 504	25m 5x10.0 mm ² with CEE 5x63A/400V	1 CEE 5x63A/400V		
233777	Transport trolley, black powder-coated, with two solid rubber tyres of diameter 200mm				

Sheet steel cable reels

521 series



Cable reel 521 with integrated solid rubber distributor type 7800

Product features of cable reels

- GIFAS PROFLEXX H07 cable
- "Traffic-light red" signal colour, RAL 3020
- Bearing-mounted drum body made from sheet steel
- Carrying handles on either side, can also be used as a crank
- Insulated handle
- Low centre of gravity
- Large, solid rubber wheels
- Built in accordance with VDE 0620 and 0623 Part 2

Product features of solid rubber distributors

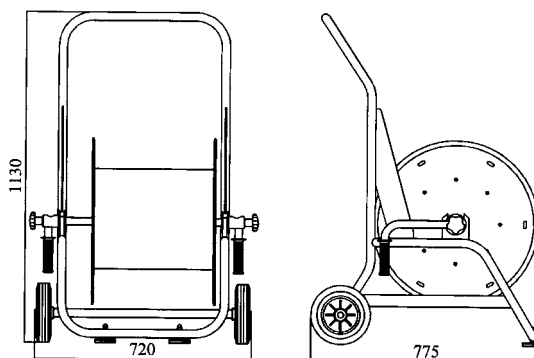
- Superlative mechanical stability
- Alkali / acid resistance
- High protection category IP 65
- Flame-resistant, halogen-free,
- Self-extinguishing as per VDE 0471
- Ready-to-connect, tested solution for
- Safe and rapid assembly
- Grey / black solid rubber housing made from special GIFAS rubber mixture

Technical data

Dimensions	WxHxD=720x1130x775mm
Dimensions of reel body	Ø 570mm, width 420mm
Empty weight	approx. 24kg
Protection category	IP X4

Capacities

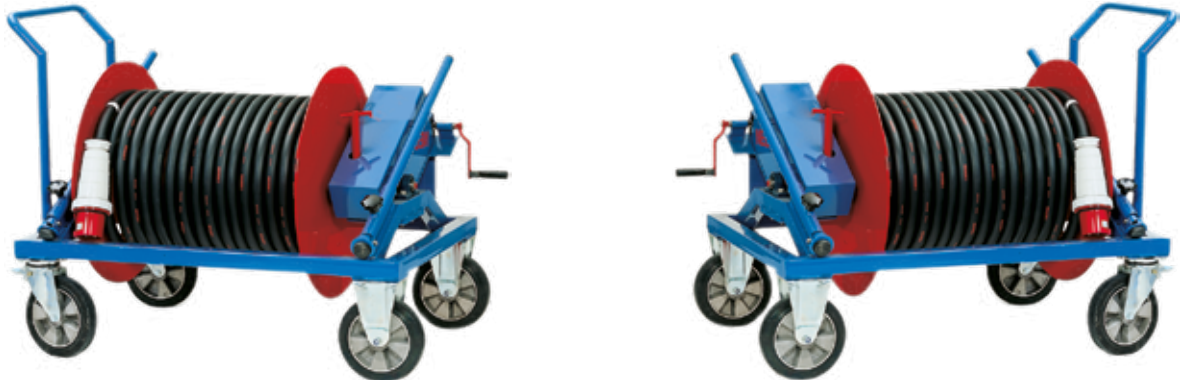
- 5x6.0mm²/ 100m
- 5x10.0mm²/ 80m
- 5x16.0mm²/ 60m



Item no.	Description	Input	Output	Fuses	Symbols
130137	Sheet steel cable reel 521, moveable	100m 5x6.0 mm ² with CEE 5x32A/400V	1 CEE 5x32A/400V		
206388	Sheet steel cable reel 521, moveable	50m 5x16.0 mm ² with CEE 5x63A/400V	1 CEE 5x63A/400V		
210711	Sheet steel cable reel 521, moveable	30m 5x35.0 mm ² with CEE 5x125A/400V	1 CEE 5x125A/400V		
207356	Sheet steel cable reel 521, moveable, with mounted solid rubber distributor 7800	25m 5x16.0 mm ² with CEE 5x63A/400V	2 CEE 5x32A/400V 2 CEE 5x16A/400V 3 protective contact sockets	Neozed 25A Neozed 16A MCB 16A 1p B RCCB 25/0.03A, 4p	

All components can be supplied as spare parts. Other equipment options available upon request.

523 series



Product features

- Sheet steel cable reel with bearing-mounted drum body made from sheet steel and special powder coating
- Frame construction made from 50 x 50 square sheet steel, also with special powder coating
- Adjustable drum brake for controlled unrolling
- Additional securing option against unwanted unrolling
- Hand crank with free running
- Equipped with two castors and fixed wheels
- Gear with back stop
- Accessories can be supplied for forklift truck transport.
- Towing bar can be supplied to accommodate a car coupling.

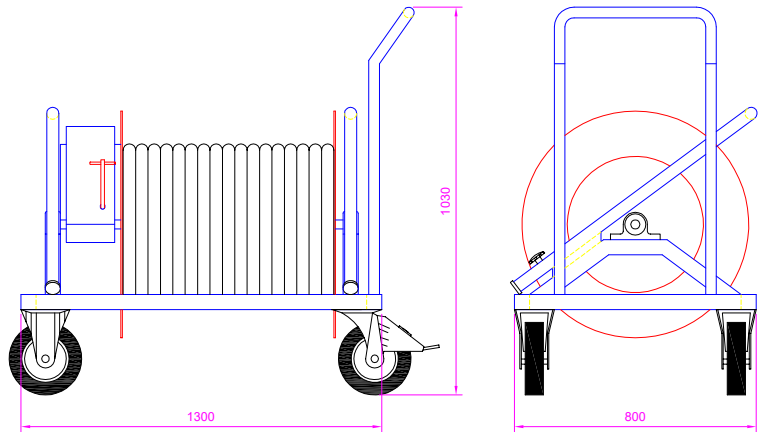
Item no.	Equipment
241100	without
241101	80 m H07RN-F 5x35 mm ² CEE plug 5x125A/400V CEE coupling 5x125A/400V
241246	100 m H07RN-F 5x16 mm ² CEE plug 5x63A/400V CEE coupling 5x63A/400V

Technical data

Dimensions WxHxD=1300x1030x800mm
 Dimensions of reel body Ø 450mm, width 700mm
 Empty weight approx. 80kg

Capacities

80m 5x35mm² H07RN-F
 100m 5x16mm² H07RN-F



All components can be supplied as spare parts. Other equipment options available upon request.

Plastic cable reels



511K2 series



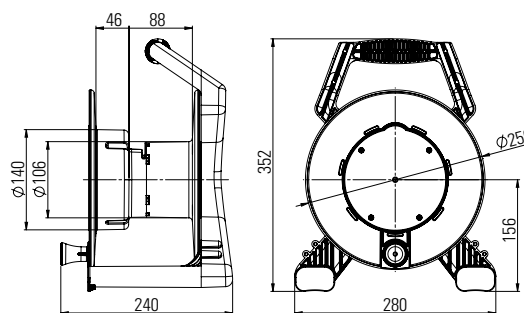
K2

Product features

- Robust reel bodies from polycarbonate black, fully protective-in isolation
- Stable polycarbonate frame
- High mechanical stability
- UV and weather resistant
- Impact-resistant, ageing-resistant
- Ergonomic shape, good carrying comfort
- With overheating protection
- With central drum brake
- Built after DIN EN 61316
- K2-identification

Technical data

Dimensions	WxHxD=280x352x240mm
Dimensions of reel body	250mm
Protection category	IP54
Protection class	II



Item no.	Input	Output	Fuses	Weight	Symbols
289723	25m H07RN-F 3x1,5mm ² with protective contact plug	3 protective contact sockets 16A/230V		approx. 5,0kg	
290217	25m H07RN-F 3x1,5mm ² with protective contact plug	3 protective contact sockets 16A/230V	Personal safety switches PRCD-S 16/0.03A	approx. 5,5kg	

512K2 series



K2 □ ▲ CE T

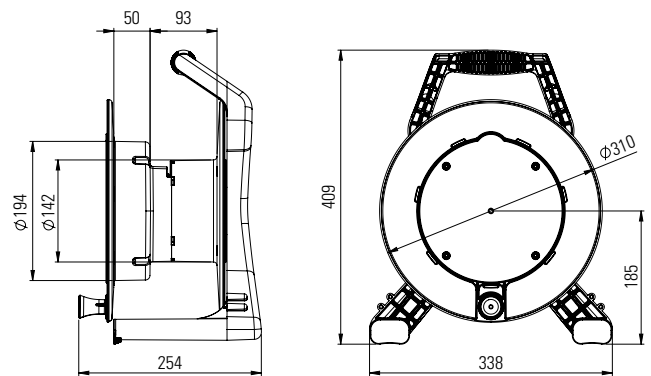
512K2 series

Product features

- Robust reel bodies from polycarbonate black, fully protective-in isolation
- Stable polycarbonate frame
- High mechanical stability
- UV and weather resistant
- Impact-resistant, ageing-resistant
- Ergonomic shape, good carrying comfort
- With overheating protection
- With central drum brake and voltage control light (230V-version)
- Built after DIN EN 61316 or DIN EN 61242
- K2-identification

Technical data

Dimensions	WxHxD=338x409x254mm
Dimensions of reel body	310mm
Protection category	IP54
Protection class	II



Item no.	Input	Output	Fuses	Weight	Symbols
289724	50m H07RN-F 3x1,5mm ² with protective contact plug	4 protective contact sockets 16A/230V		approx. 8.7kg	
289725	25m H07RN-F 5x2,5mm ² with CEE-plug 400V/16A 5pol	1 CEE plug 5x16A/400V 3 protective contact sockets 16A/230V		approx. 9.2kg	
289726	40m H07RN-F 3x2,5mm ² with protective contact plug	4 protective contact sockets 16A/230V		approx. 10.2kg	
290218	50m H07RN-F 3x1,5mm ² with protective contact plug	4 protective contact sockets 16A/230V	Personal safety switches PRCD-S 16/0.03A	approx. 9.2 kg	

520/ Mini series



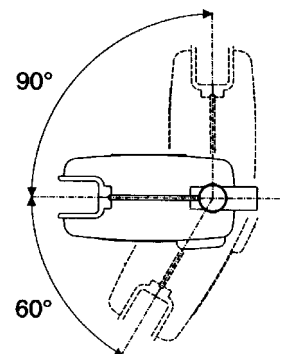
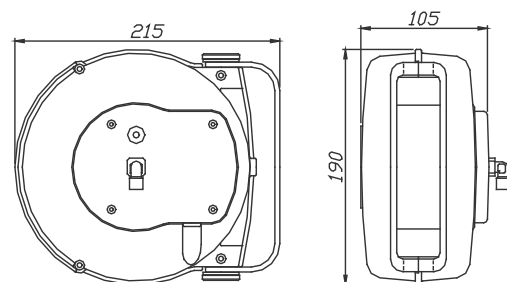
Product features

- Fully equipped and pre-set
- Impact-resistant plastic
- Incl. wall mount
- Factory-fitted with lock (can be set to continuous tension)
- Thermal protection
- Small, easy to handle, sturdy, easy to assemble
- Standard IEC 1242

Technical data

Pull-out length	5 to 7 m
Slip ring	2 to 3-pole
Operating voltage	max. 230 V
Cable	7m 2x1.0 mm ² Thermoplast cable H05VV-F plus 1 m free-hanging
Output coiled	1100W
Output uncoiled	1600W
Dimensions WxHxD	105x190x215mm
Weight	approx. 2.3kg
Protection category	IP42

Item no.	Number of wires	Cross-section in mm ²	Cable length coiled + 1.0 m free	Output coiled in W	Output uncoiled in W
242554	2	1.0	7	1100	1600
242553	2	1.5	5	1300	1800
241760	3	1.0	6	1100	1600
242551	3	1.5	5	1400	1900



520/XF and 520/XL series



520/XF series



520/XL series



Product features

- Fully-equipped and pre-set pull-out cable reels
- Sealed casing made from impact-resistant plastic
- Incl. fastening clip
- Thermal protection (2 to 5-pole)
- Special cable black, end cut smooth, no connection coupling
- Factory-fitted with lock, can be set to continuous tension
- Cable back stop with toothed lock every 50 cm
- Easy to disengage if the cable is to be continuously under tension
- Easy to handle, sturdy, easy to assemble
- Standard IEC 1242

Technical data

Pull-out length	5.5 to 12.5m
Slip ring	2 to 5-pole
Operating voltage	max. 400V
Protection category XF	IP42
	XL
	IP43
Cable	H05VV-F or H07RN-F

520/XF accessories

To reduce the ingress of dirt at the cable inlet, a covering cap is available as an accessory. This can be fitted at a later date and increases the protection category to IP 43.

Cover securing mechanism

When the cover is fitted and in the case of a vertical cable uncoiling / coiling motion, the reel body is secured into the fastening clip.

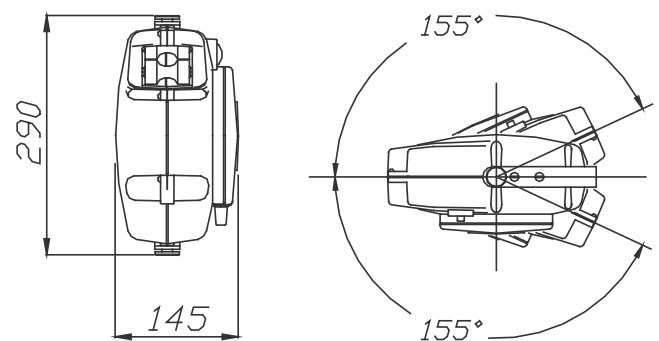
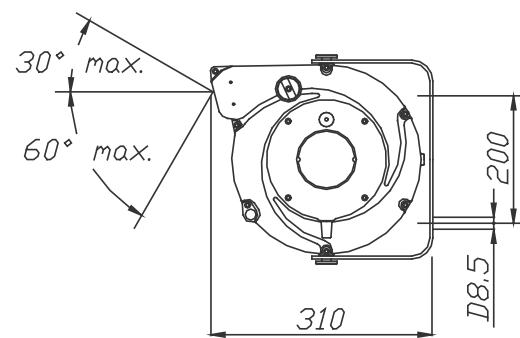
Installation instructions

Suitable installation options (see page 15)

A, C, G and N swivel motion

E and F fixed position with adjusting screw

Limited use with cover cap (cable inlet)



520/XF and 520/XL series

Item no.	Description	Number of wires	Cross-section in mm ²	Cable length coiled + 1.5m free	Output coiled in W	Output uncoiled in W	Current strength of the collector
242646	520/XF series	2	1.0	10	900	1400	10
242535	520/XF series	2	1.0	14	900	1400	10
242648	520/XF series	3	1.0	8	900	1400	10
242500	520/XF series	3	1.0	12.5	900	1400	10
242541	520/XF series	4	1.0	10.5	1100	1600	10
242533	520/XF series	5	1.0	7.5	1000	1500	10
242222	520/XF series	2	1.5	11	1100	1600	10
242649	520/XF series	3	1.5	7	1200	1800	10
242283	520/XF series	3	1.5	10	1200	1800	10
242652	520/XF series	4	1.5	5.5	1350	1900	10
242540	520/XF series	4	1.5	8	1350	1900	10
242532	520/XF series	5	1.5	5.5	1350	1900	10
242612	520/XF series	2	2.5	8.5	1750	2300	10
242715	520/XF series	3	2.5	7	1850	2500	20
241324	520/XF series	4	2.5	5.5	2000	2700	20
242702	520/XL series	2	1.0	10	900	1400	10
242694	520/XL series	2	1.0	14	900	1400	10
242703	520/XL series	3	1.0	8	900	1400	10
242737	520/XL series	3	1.0	12.5	900	1400	10
242695	520/XL series	4	1.0	10.5	1100	1600	10
242697	520/XL series	5	1.0	7.5	1000	1500	10
242735	520/XL series	2	1.5	11	1100	1600	10
242704	520/XL series	3	1.5	7	1200	1800	10
242738	520/XL series	3	1.5	10	1200	1800	10
242696	520/XL series	4	1.5	8	1350	1900	10
242698	520/XL series	5	1.5	5.5	1350	1900	10
242736	520/XL series	2	2.5	8.5	1750	2300	10
242739	520/XL series	3	2.5	7	1850	2500	20
242740	520/XL series	4	2.5	5.5	2000	2700	20

520/XF accessories

Item no.	Description
242284	520/XF covering cap
242723	Optional device

520/PRC and 520/PRL series



520/PRC series



520/PRL series



Product features

- Fully-equipped and pre-set pull-out cable reels
- Sealed casing made from cast aluminium (silver-grey)
- Fastening clip
- Return spring made from special steel
- Special cable black, end cut smooth, no connection coupling
- Factory-set to continuous tension, adjustable locking mechanism
- Easy to handle, sturdy
- Easy to assemble
- Standard IEC 1242

Technical data

Pull-out length	8 to 24m
Slip ring	2 to 5-pole
Operating voltage	max. 400V
Protection category PRC	IP42
PRL	IP43
Cable	H05VV-F or H07RN-F

520/PRC accessories

To reduce the ingress of dirt at the cable inlet, a covering cap is available as an accessory. This can be fitted at a later date and increases the protection category to IP 43.

Installation instructions

Suitable installation options (see page 15)

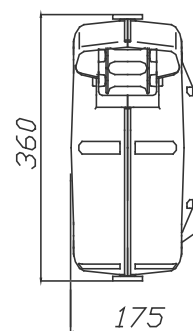
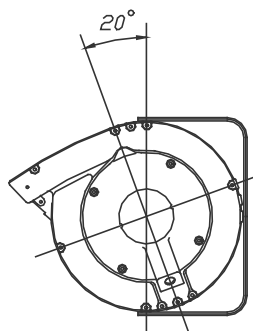
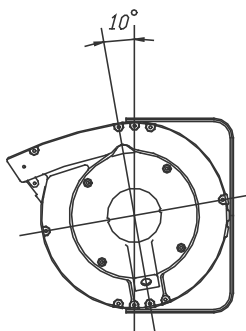
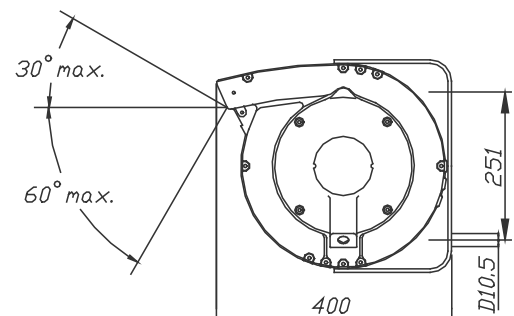
A, C, G and N = swivel motion

E and F = fixed position with adjusting screw

Limited use with cover cap (cable inlet)

Cover securing mechanism

When the cover is fitted and in the case of a vertical cable uncoiling / coiling motion, the reel body is secured into the fastening clip.



520/PRC and 520/PRL series

Item no.	Description	Number of wires	Cross-section in mm ²	Cable length coiled +2.0m free	Output coiled in W	Output uncoiled in W	Current strength of the collector
242574	520/PRC series	3	1.0	24	1000	1700	10
242576	520/PRC series	4	1.0	24	800	1400	10
242579	520/PRC series	5	1.0	16	800	1400	10
242572	520/PRC series	2	1.5	24	1100	1800	10
242543	520/PRC series	3	1.5	20	1100	1800	10
242390	520/PRC series	3	1.5	24	1100	1800	10
242544	520/PRC series	4	1.5	16	1100	1800	10
242577	520/PRC series	4	1.5	21	1100	1800	10
242580	520/PRC series	5	1.5	11	1500	2200	10
242542	520/PRC series	3	2.5	12	2000	3000	20
242575	520/PRC series	3	2.5	15	2000	3000	20
242545	520/PRC series	4	2.5	10	2000	3000	20
242501	520/PRC series	4	2.5	15	2000	3000	20
242546	520/PRC series	5	2.5	8	2000	3000	20
242391	520/PRC series	5	2.5	10	2000	3000	20
242741	520/PRL series	2	1.0	24	1000	1700	10
242744	520/PRL series	3	1.0	24	1000	1700	10
242747	520/PRL series	4	1.0	24	800	1400	10
242751	520/PRL series	5	1.0	16	800	1400	10
242742	520/PRL series	2	1.5	24	1100	1800	10
242754	520/PRL series	3	1.5	20	1100	1800	10
242745	520/PRL series	3	1.5	24	1100	1800	10
242756	520/PRL series	4	1.5	16	1100	1800	10
242749	520/PRL series	4	1.5	21	1100	1800	10
242752	520/PRL series	5	1.5	11	1500	2200	10
242755	520/PRL series	3	2.5	12	2000	3000	20
242746	520/PRL series	3	2.5	15	2000	3000	20
242757	520/PRL series	4	2.5	10	2000	3000	20

520PRC accessories

Item no.	Description
261182	Covering cap

520/PRL accessories

Item no.	Description
242723	Optional device

520/1700 series



Type 1




Type 2

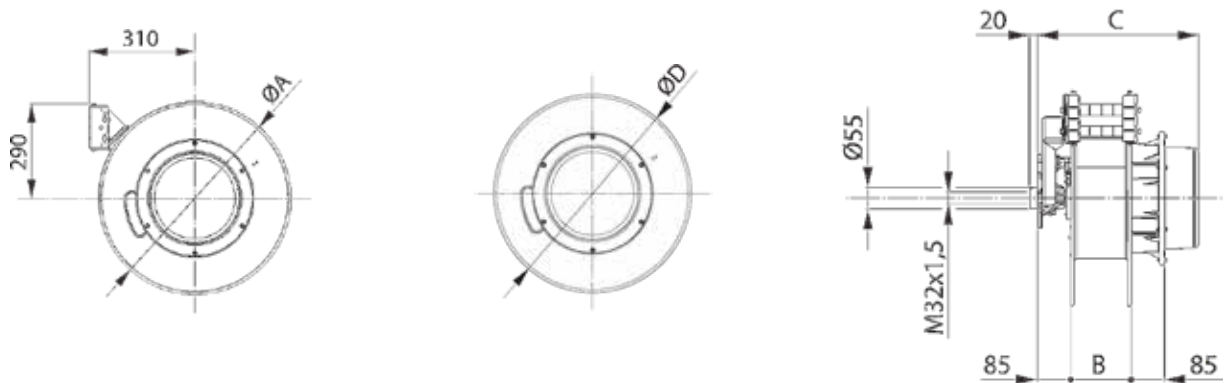

Product features

- Pull-out cable reel made from hot-varnished aluminium and steel
- On the back is an additional bracket made from aluminium for secure ceiling or wall mounting.
- Optimum traction of the cable thanks to a steel spring
- The cable reel can be supplied with H05V-F or H07RN-F cables or no cable.

Technical data

Ambient temperature	-5°C/+40°C
Max. coiling speed	40 m per minute
Insulating voltage slip ring	2.5KV
Protection category	IP65
Cable	H05V-F or H07RN-F
Suitable	- for 1 to 24-pin cables - with a pull-out length of max. 53 m - up to 63A

Item no.	Number of wires	Cross-section in mm ²	Cable length coiled + 2.0 m Free	Output when coiled in W	Output when uncoiled in W	Cable	Type	Dimensions A	Dimensions B	Dimensions C	Dimensions D
262751	5	6.0	15	17000	22000	H05V-F	1	Diam. 550	160	410	
269415	3	2.5	29	2000	3500	H07RN-F	1	Diam. 440	160	365	
271838	3	2.5	39	2000	3500	H07RN-F	1	Diam. 440	160	365	
273423	12	1.5	15	max. 4.5 A		H05V-F	2		190	440	Diam. 550
274147	4	2.5	53	6000	8500	H07RN-F	2		190	395	Diam. 550
274434	4	2.5	29	6000	8500	H07RN-F	1	Diam. 550	160	365	
274707	5	6,0	14	17000	22000	H07RN-F	1	Diam. 550	160	410	
276813	5	6.0	24	17000	22000	H05V-F	1	Diam. 550	160	410	



Mini / 810 / 813 PR series

Product features

- Hose reels for air and water
- Type Mini / 810 housing made from impact-resistant plastic
- Type 813 PR housing made from cast aluminium, enamelled yellow
- Incl. wall mount
- Factory-fitted with lock, set at approx. every 50 cm
- Can be converted to continuous tension
- Simple assembly



Mini series

Item no.	Hose length in m*	Internal diam. in mm	Connection	pressure in bar	Dimensions WxHxD in mm	Weight in kg
242816	5.5	6	1/4"	12	135x285x302	approx. 3.9

* coiled + 1m free



810 series

Item no.	Hose length in m*	Internal diam. in mm	Connection	pressure in bar	Dimensions WxHxD in mm	Weight in kg
242590	9	8	1/4"	15	130x315x330	approx. 4.0

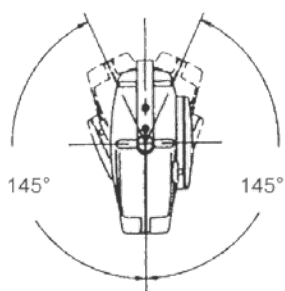
* coiled + 1m free



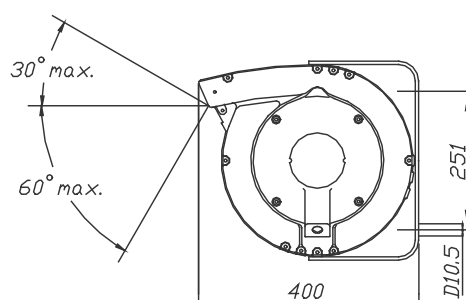
813 PR series

Item no.	Hose length in m*	Internal diam. in mm	Connection	pressure in bar	Dimensions WxHxD in mm	Weight in kg
242592	10	8	1/4"	12	175x251x400	10.50
242594	7	10	3/8"	12	175x251x400	10.50

* coiled + 2m free



Type 810



Type 813 PR

8000 series

Product features

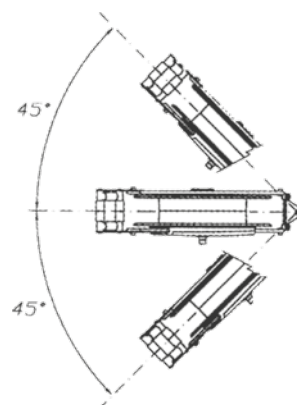
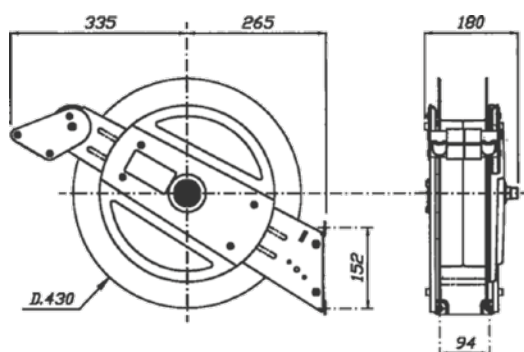
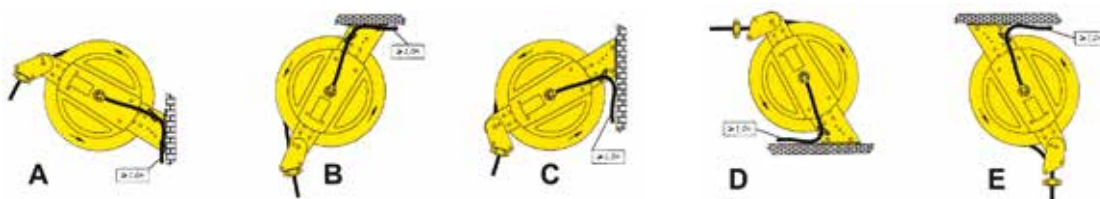
- Hose reels for air and water
- Large model for air and cold water
- Reel body and carrying frame made from zinc-plated sheet steel
- Simple installation
- Large variety of assembly options

Item no.	Hose length in m*	Internal diam. in mm	Connection	pressure in bar	Dimensions WxHxD in mm	Weight in kg
242595	20	10	3/8"	20	180x430x600	19
242596	11	13	1/2"	20	180x430x600	16

* coiled + 1m free



Mounting options



Type 8000, can be swivelled with additional equipment

Cable reels / Pull-out cable reels



Cable reels / Pull-out cable reels



WE ARE EXPERTS IN YOUR FIELD

Construction industry

Industrial sector

Safety equipment

Cable reels

**Online products available
at www.gifas.de/en**

Find the suitable product
solution for you on our
website and read all the
latest news about our
products.

