



UNSEEN BUT ALWAYS READY FOR USE.

GIFAS underfloor distributors harmoniously integrate supply technology for electricity, water, sewage, compressed air and media. They are space-saving and ready-to-use on request in your vicinity - they are quick to start and highly resilient without being seen.

General	66
Underfloor distributor for electric mobility	72
PIAZZA	73
CAMPETTO	76
RETRANT	80
PICCOLINO	81
Application cases	82
3D Visualisation	89

General

Thanks to underfloor distributors from GIFAS ELECTRIC, electrical power is quickly available anywhere and without time-consuming installation work! Power, media and water distributors integrated invisibly into the cityscape, designed with long service and ease of maintenance in mind.

Over the following pages, you will see a synopsis of the advantages of our high-quality components and materials, and how we can help you, step by step, towards a future-proof underfloor distributor system that meets your individual preferences and requirements. We also pay close attention to reliability and product quality. "Made in Germany".



To offer you the right product for every application, GIFAS has a number of different underfloor distributor systems of varying function, size and application in its portfolio.

One characteristic shared by all of the products is the uniqueness and knowledge of how to offer our customers tailored, VDE-compliant products that are virtually impossible to vandalise, remain fully capable of being walked or driven on during operation and which integrate seamlessly into the landscape.

Model size

	Model size					
Load classes	A15 15kN / 1,5t Pedestrians, cyclists, green areas	 PICCOLINO 120	 RETRANT	 CAMPETTO V	 CAMPETTO VII	
	B125 125kN / 12,5t Pedestrians, parking spaces, vans			 CAMPETTO VI	 CAMPETTO VIII	
	C250 250kN / 25t Kerbs, hard shoulders, parking spaces	 PICCOLINO 200		 CAMPETTO VI		
	D400 400kN / 40t Roads, pedestrian zones, parking spaces			 PIAZZA 800	 PIAZZA 1000	
	F900 900kN / 90t Flight operation areas, ports			 PIAZZA 2000		

Properties



Body and cover

The body of the underfloor distributor is made from stainless steel up to 6 mm thick, which is impervious to seismic movement, moisture, rodents and other environmental influences. The cover is also made from 6 mm stainless steel and can be designed to withstand the F900 weight class.



Solid rubber

All solid rubber distributors from GIFAS ELECTRIC are made from 100% vulcanised, self-extinguishing butyl rubber (Shore hardness 97), compliant with VDE 0471 Part 2.2. They are resistant to oils, various acids and alkalis, and are impervious to weld and spark showers. The solid rubber distributors we use mean that condensation build-up in the distributor caused by temperature fluctuations can be reliably ruled out.



C-SAFE

The cable outlet guard is designed so that its flat and rounded construction presents no obstacle, trip hazard or sharp edges. The underfloor distributor system can be walked on or driven over without limit during operation, with supply lines being fully protected.



Gas springs

Gas springs assist with the opening and closing of the underfloor distributor system. They are not susceptible to faults, similar to those that are installed in the boot of your car.



Load classes

GIFAS underfloor distributor systems offer you the following types according to the DIN 124 load classes: A15 (pedestrian walkways and cycle lanes), B125 (truck and parking spaces), D400 (heavy goods vehicles) and F900 (airports and production halls with forklift truck traffic).



RFID billing (optional)

Depending on the application, the GIFAS underfloor distributors can be equipped with billing systems. For example, RFID credit cards can be used to activate the freely available slots on the distributor.



Diving bell (optional)

In areas prone to flooding, underfloor distributors can be equipped with a diving bell. The principle is similar to an inverted glass in a bowl filled with water. A bell of air forms around the solid rubber distributor, protecting the components from moisture.



Model overview

PIAZZA

Technical data	PIAZZA 800	PIAZZA 1000	PIAZZA 2000
Area of use	Internal / external area	Internal / external area	Internal / external area
Classification as per DIN EN 124	400kN (40t) / D400	400kN (40t) / D400	900kN (90t) / F900
Cover achievement	Covers can be individually filled / paved	Covers can be individually filled / paved	Covers can be individually filled / paved
Cover measurements	750x750x70mm	1000x1000x70mm	700x700x70mm
Cover heating	Yes	Yes	Optional
Diving bell	Optional	Optional	Optional
Weight	Approx. 550kg	Approx. 830kg	Approx. 200 kg (without concrete ring)
Installation depth	Approx. 1300mm	Approx. 1300mm	Approx. 310mm plus distributor and fittings
GIFAS solid rubber distributors	7800 series	7800/7900 series	7800 series

CAMPETTO

Technical data	CAMPETTO V	CAMPETTO VI	CAMPETTO VII	CAMPETTO VIII
Area of use	Internal / external area	Internal / external area	Internal / external area	Internal / external area
Classification as per DIN EN 124	15kN (1.5t) / A15 Optional B125	125kN (12.5t) / B125 Optional C250	15kN (1.5t) / A15 Optional B125	125kN (12.5t) / B125
Cover achievement	Stainless steel non-slip steel floor plate, can be supplied in two sizes	Covers can be individually filled / paved, can be supplied in two sizes	Stainless steel non-slip steel floor plate	Covers can be individually filled / paved
Cover measurements for series 7700-7900 for series 7200-7400	800x552mm 650x452mm	800x552mm 650x452mm	800x912mm	800x912mm
Cover heating	Optional	Optional	Optional	Optional
Diving bell	Optional	Optional	Optional	Optional
Weight	Approx. 100kg / 130kg	Approx. 100kg / 130kg	Approx. 260kg	Approx. 260kg
Installation depth	Depending on design 500 or 670mm	Depending on design 500 or 670mm	900mm	900mm
GIFAS solid rubber distributors	7200 - 7900 series	7200 - 7900 series	7200 - 7900 series	7200 - 7900 series

RETRANT / PICCOLINO

Technical data	RETRANT	PICCOLINO 120	PICCOLINO 200
Area of use	Underfloor distributors for restricted spaces	Underfloor distributors for restricted spaces	Underfloor distributors for restricted spaces
Classification as per DIN EN 124	15kN (1.5t) / A15	2kN (200kg)	250kN (25t) / C250
Cover	Stainless steel non-slip steel floor plate / 340x240mm	Stainless steel non-slip steel floor plate / 120x120mm	Stainless steel non-slip steel floor plate / 200x200mm
Weight	Approx. 25kg	Approx. 4.2kg	Approx. 7.5kg
Installation depth	Approx. 420mm	Approx. 400mm	Approx. 400mm
GIFAS solid rubber distributors	Series 2516, protection category IP65 Equipment options Individual as per the client's wishes	2m H07 Leitung 3x2.5mm ² 1 protective contact coupling 16A/230V (IP 68) or 1 CEE coupling 16A/400V (IP67)	2m H07 Leitung 3x2.5mm ² 1 protective contact coupling 16A/230V (IP 68) or 1 CEE coupling 5x16A/400V (IP 67) or 1 CEE coupling 5x32A/400V (IP 67)

Model overview

PIAZZA

Product features

- Can be locked, walked on or driven over during operation
- Cover can be filled with surrounding material or designed as a floor plate
- Secured against unauthorised opening (vandal-proof!)
- Gas springs for force-free, assisted opening
- Frost-proof operation thanks to cover heating
- Maintenance-free GIFAS solid rubber distributor system guarantees optimum operating safety down to -40°C
- No formation of condensation thanks to the GIFAS solid rubber distributor
- Resistant to environmental influences
- Stainless steel construction, all metal parts made from V2A
- Visible reflectors on the opened cover system
- Distributor fastening on the underside of the cover
- The connector distributor can be accessed when installed (E-check - DGUVA3)
- Pit covers, locks and distributors can be replaced
- Optional: on request with diving bell

Locking system



CAMPETTO

Product features

- Can be locked, walked on or driven over during operation
- Cover can be filled with surrounding material or designed as a floor plate
- Secured against unauthorised opening (vandal-proof!)
- Gas springs for force-free, assisted opening
- Frost-proof operation thanks to cover heating option
- Maintenance-free GIFAS solid rubber distributor system guarantees optimum operating safety down to -40°C
- No formation of condensation thanks to the GIFAS solid rubber distributor
- Resistant to environmental influences
- Stainless steel construction, all metal parts made from V2A
- Visible reflectors on the opened cover system
- Cover pit can be removed by loosening the screws for maintenance purposes
- Distributor fastening on the underside of the cover
- The connector distributor can be accessed when installed (E-check - DGUVA3)
- Pit covers, locks and distributors can be replaced
- Optional: frost-proof operation through pit cover heating, thermostat controlled
- Optional: on request with diving bell

Locking system



RETRANT / PICCOLINO

!

Product features
The features of the RETRANT and PICCOLINO models can be found on pages 80 and 81.

RETRANT
Locking system



PICCOLINO
Locking system





Installation and assembly procedure PIAZZA



Excavating the installation pit



Customer-side concrete ring



Insertion of the unit



Insertion of the entire unit into the prepared installation pit



Levelling of the whole unit



Decanting and concreting-in



Adaptation to the surroundings with filler material



Fully installed PIAZZA



Underfloor systems involving fresh water
With underfloor systems involving fresh water, the terminal distributor must be hung on the side opposite the water tap!

Installation and assembly procedure **CAMPETTO**



Excavating the installation pit



Topping up the installation pit



Insertion of the unit



Filling



Decanting and concreting-in



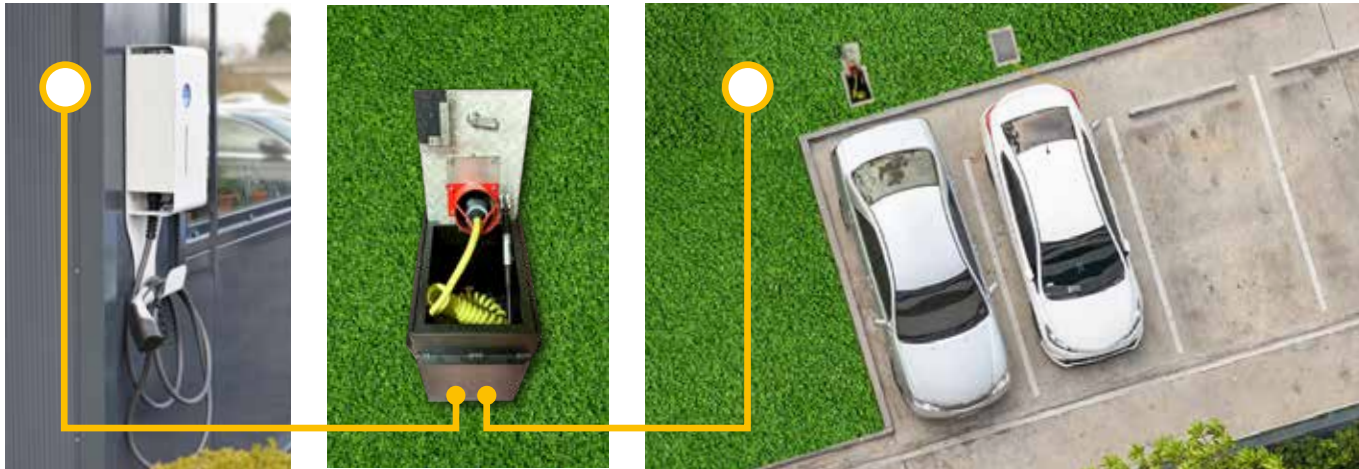
Adaptation to the surroundings with filler material



Fully installed **CAMPETTO**

Underfloor distributor for electric mobility

RETRANT with spiral charging cable and external wall box



Solid stainless steel construction (V2A/1.4301) 380x280mm, gas pressure spring for fully automatic opening, manhole cover made of non-slip stainless steel tear sheet, car charging station.

Technical additions (to table, page 68)

Cover:	Sturdy stainless steel (V2A/1.4301) bulb plate.
Cable outlet:	Integrated in the side of the lid.
Locking:	The manhole cover is locked by a double-bit lock with snap lock.

Product features

- Vandal-proof stainless steel construction
- Protected charging of electric vehicles
- Practical charging points, e.g. for car parks in neighbourhoods
- Future-proof solution for building planning
- Control of the charging point via external wall box on the building

Supplied package

Stainless steel construction with

- Manhole cover made of bulb plate (V2A/1.4301)
- Spiral charging cable 3m with type 2 coupling completely assembled and wired ready for connection

CAMPETTO 6 with socket type 2 and integrated wall box



Solid stainless steel construction (V2A/1.4301) 800x552mm, gas pressure springs for fully automatic opening, manhole cover can be filled individually, car charging station.

Technical additions (to table, page 68)

Cover filling:	The pit with a depth of 70mm can be custom-filled to blend in with its surroundings.
Cable exit flap:	(135x90mm) integrated into the shaft cover frame
Locking:	The manhole cover is locked by a self-cleaning lock with a snap lock.

Supplied package

Stainless steel construction with

- fillable shaft cover
- Charging station with socket type 2 completely assembled and wired ready for connection

GIFAS Wall box

For information on our designs, see page 153.

PIAZZA 800 (D400)



Solid stainless steel construction (V2A/1.4301) 750x750 mm, gas springs for fully automatic opening, shaft cover can be custom-filled, distributor as per the client's request.

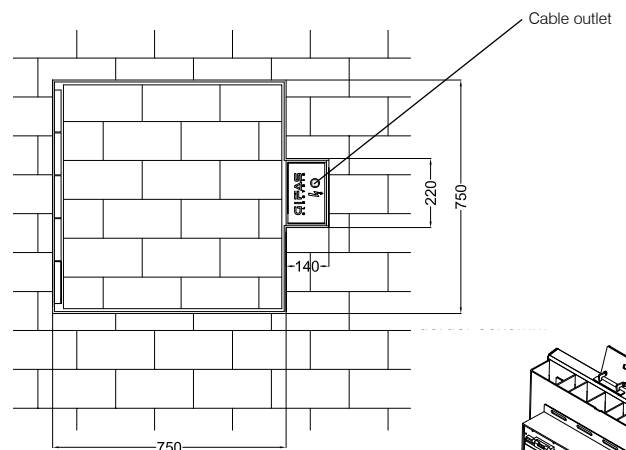
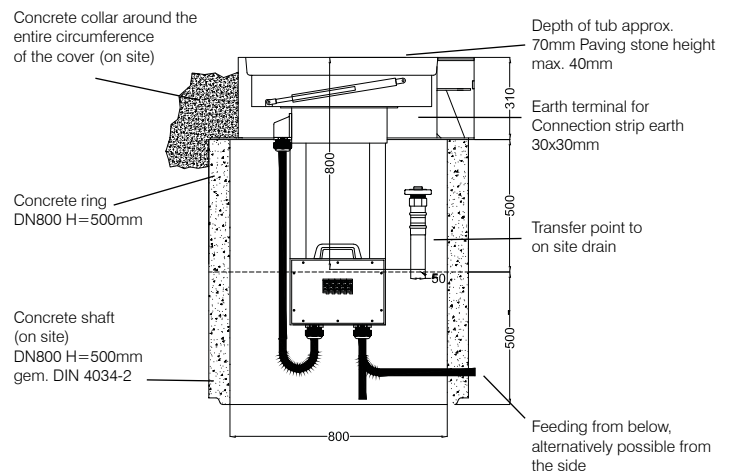
Technical additions

- Cover filling: The pit with a depth of 70mm can be custom-filled to blend in with its surroundings.
- Cable exit flap: (210x130mm) integrated into the shaft cover frame.
- Locking: A sturdy closing mechanism (with snap lock) closes the shaft cover and it can also be secured with a shackle lock. Cable exit flap secured with a double bit lock (locking tool included in scope of delivery).
- Heating: To prevent the Floor Pit from being frozen in the closed position, a thermostatically controlled heating tape is built into the lid of the Floor Pit housing.
- Diving bell (optional): Protection against the risk of flooding.

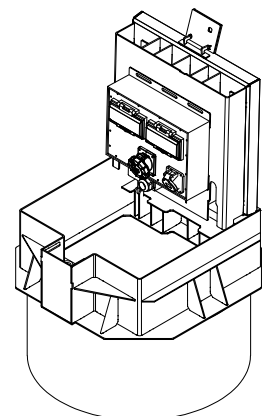
It is the client's responsibility to ensure the standards-appropriate substructure, correct installation of the shaft and corresponding drainage. The shaft cover is not sealed against surface water.

Supplied package

- Stainless steel construction with
 - fillable shaft cover
 - solid rubber electrical distributor
 - junction box
- Fully assembled and wired.
- Mounted on concrete ring (H=500mm, NW=800mm)
- "DN-Concrete pipe by DIN 4034-2"



!
Diving bell
Available on customer request.



PIAZZA 1000 (D400)



Solid stainless steel construction (V2A/1.4301) 1000x1000mm, gas springs for fully automatic opening, shaft cover can be custom-filled, distributor as per the client's request.

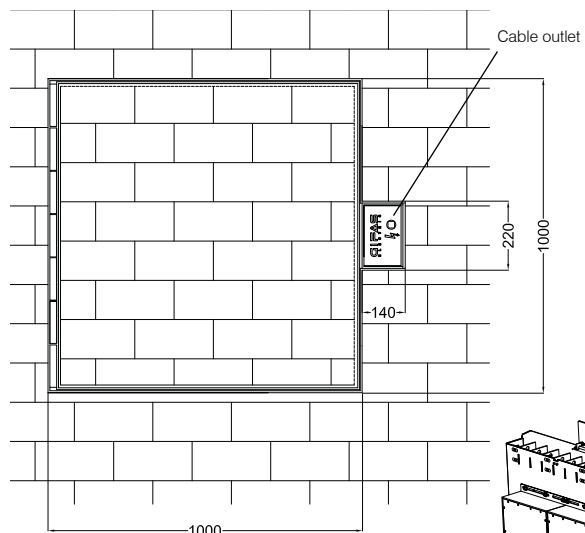
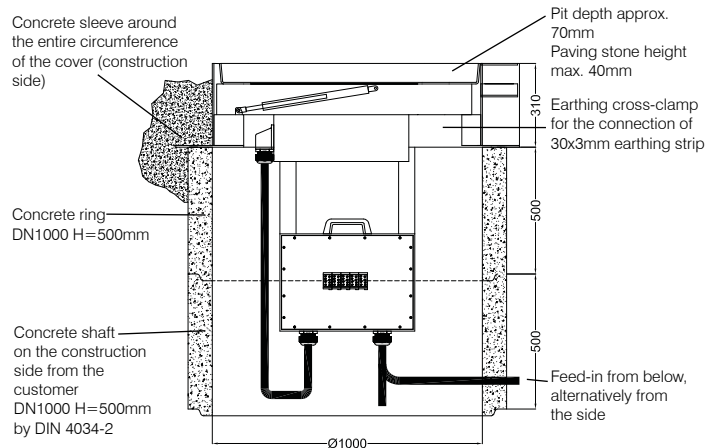
Technical additions

- Cover filling: The pit with a depth of 70mm can be custom-filled to blend in with its surroundings.
- Cable exit flap: (210x130mm) integrated into the shaft cover frame.
- Locking: A sturdy closing mechanism (with snap lock) closes the shaft cover and it can also be secured with a shackle lock. Cable exit flap secured with a double bit lock (locking tool included in scope of delivery).
- Heating: To prevent the Floor Pit from being frozen in the closed position, a thermostatically controlled heating tape is built into the lid of the Floor Pit housing.
- Diving bell (optional): Protection against the risk of flooding.

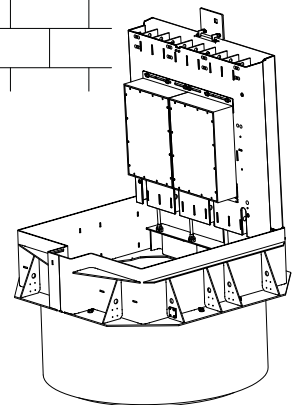
It is the client's responsibility to ensure the standards-appropriate substructure, correct installation of the shaft and corresponding drainage. The shaft cover is not sealed against surface water.

Supplied package

- Stainless steel construction with
 - fillable shaft cover
 - solid rubber electrical distributor
 - junction box
- Fully assembled and wired.
- Mounted on concrete ring (H=500mm, NW=1000mm)
- "DN-Concrete pipe by DIN 4034-2"



!
Diving bell
Available upon customer request.



PIAZZA 2000 (F900)



The GIFAS underfloor distributor PIAZZA 2000 has been specially designed for use at maintenance bases and in hangars.

Thanks to its strongly reinforced shaft cover, the PIAZZA 2000 can withstand the weight of an aircraft wheel, industrial lorry, tractor or pushback.

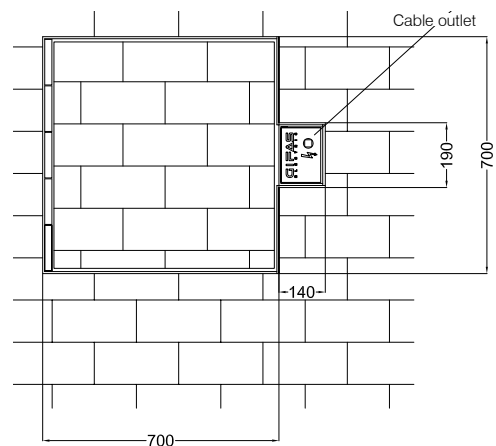
The main distributors are made of extremely sturdy solid rubber in Germany. They are extremely long-lasting.

For your application, we can equip the main distributors according to your requirements with any type of connector, jet connectors and fuse installations or controls. Load break switches or back-up fuses can be installed in the connection distributor.

Mounted on an underground substructure, the cover can be used as access and also as a carrier for power distribution.

Product features

- Can be locked, walked on or driven over during operation
- Cover can be filled with surrounding material or designed as a floor plate
- Secured against unauthorised opening (vandal-proof!)
- Gas springs for force-free, assisted opening
- Frost-proof operation thanks to cover heating
- Maintenance-free GIFAS solid rubber distributor system guarantees optimum operating safety down to -40°C
- No formation of condensation thanks to the GIFAS solid rubber distributor
- Resistant to environmental influences
- Stainless steel construction, all metal parts made from V2A
- Visible reflectors on the opened cover system
- Distributor fastening on the underside of the cover
- The connector distributor can be accessed when installed (E-check - DGUVA3)
- Pit covers, locks and distributors can be replaced





CAMPETTO V (A15)



Solid stainless steel construction (V2A/1.4301) in two sizes, gas springs for fully automatic opening, shaft cover made from non-slip steel floor plate, distributor as per the client's request.

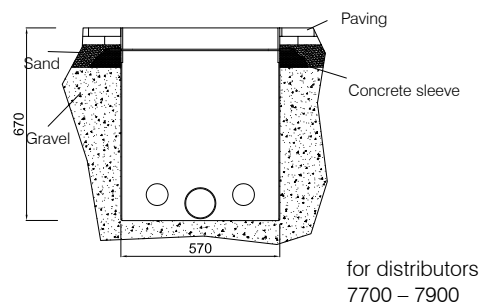
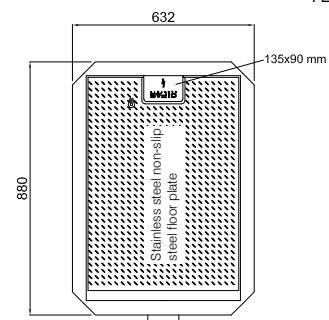
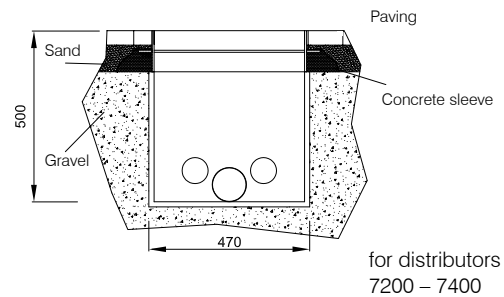
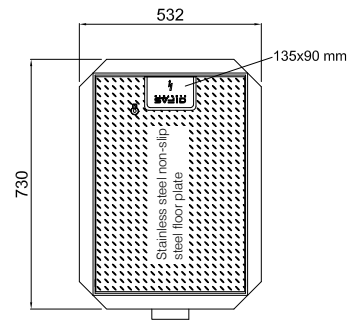
Technical additions

- Cover: V2A/1.4301 non-slip steel floor plate
- Cable exit flap: (135x90mm) in the centre on the head side of the cover
- Locking: A self-cleaning lock with snap fastener closes the shaft cover (locking tool included in the scope of delivery).
- Heating (optional): To prevent the Floor Pit from being frozen in the closed position, a thermostatically controlled heating tape is built into the lid of the Floor Pit housing.
- Diving bell (optional): Protection against the risk of flooding.

It is the client's responsibility to ensure the standards-appropriate substructure, correct installation of the shaft and corresponding drainage. The shaft cover is not sealed against surface water.

Supplied package

- stainless steel construction with
 - cover made from V2A non-slip steel floor plate
 - solid rubber electrical distributor (Protection class II)
 - junction box (Protection class II)
- Fully assembled and wired.



CAMPETTO VI (B125)



Solid stainless steel construction (V2A/1.4301) in two sizes, gas springs for fully automatic opening, shaft cover can be custom-filled, distributor as per the client's request.

Technical additions

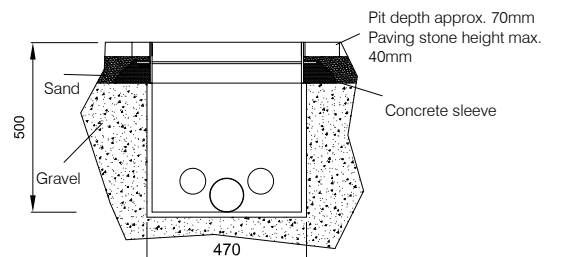
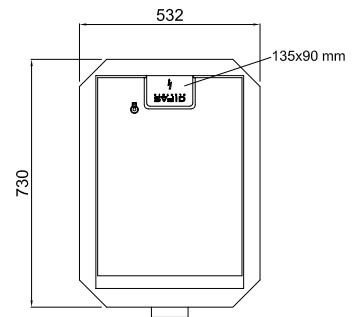
- Cover filling: The pit with a depth of 70mm can be custom-filled to blend in with its surroundings.
- Cable exit flap: (135x90mm) in the centre on the head side of the cover
- Locking: A self-cleaning lock with snap fastener closes the shaft cover (locking tool included in the scope of delivery).
- Heating (optional): To prevent the Floor Pit from being frozen in the closed position, a thermostatically controlled heating tape is built into the lid of the Floor Pit housing.
- Diving bell (optional): Protection against the risk of flooding.

It is the client's responsibility to ensure the standards-appropriate substructure, correct installation of the shaft and corresponding drainage. The shaft cover is not sealed against surface water.

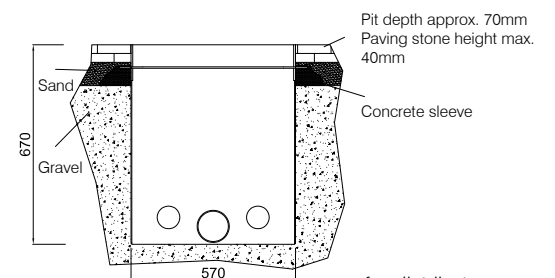
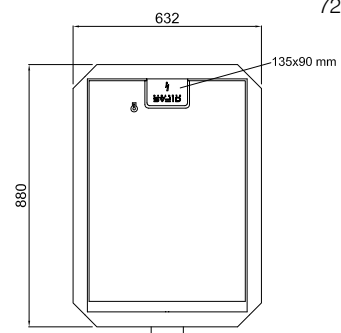
Supplied package

- Stainless steel construction with
- fillable shaft cover
- solid rubber electrical distributor (Protection class II)
- junction box (Protection class II)
- Fully assembled and wired.

!
Cover
A covered version made of V2A non-slip steel floor plate is also available.



for distributors
7200 – 7400



for distributors
7700 – 7900



CAMPETTO VII (A15)



Solid stainless steel construction (V2A/1.4301), gas springs for fully automatic opening, shaft cover made from non-slip steel floor plate, distributor as per the client's request.

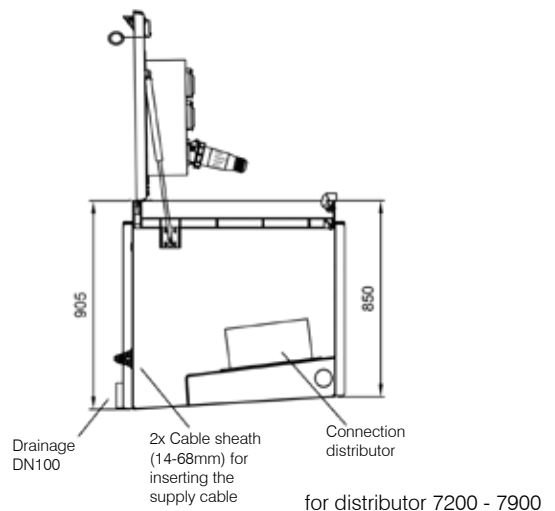
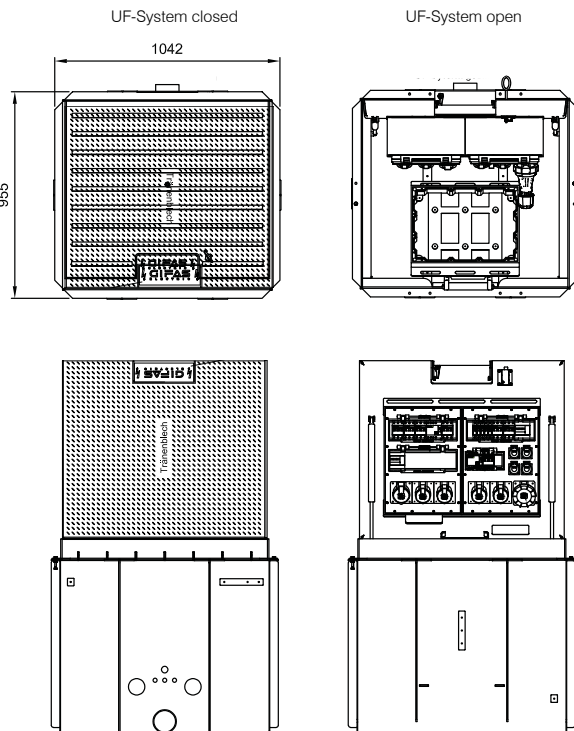
Technical additions

- Cover: V2A/1.4301 non-slip steel floor plate.
- Cable exit flap: (280x110mm) in the centre on the head side of the cover
- Locking: A self-cleaning lock with snap fastener closes the shaft cover (locking tool included in the scope of delivery).
- Heating (optional): To prevent the Floor Pit from being frozen in the closed position, a thermostatically controlled heating tape is built into the lid of the Floor Pit housing.
- Diving bell (optional): Protection against the risk of flooding.

It is the client's responsibility to ensure the standards-appropriate substructure, correct installation of the shaft and corresponding drainage. The shaft cover is not sealed against surface water.

Supplied package

- Stainless steel construction with
 - cover made from V2A non-slip steel floor plate
 - solid rubber electrical distributor (Protection class II)
 - junction box (Protection class II)
- Fully assembled and wired.



CAMPETTO VIII (B125)



Solid stainless steel construction (V2A/1.4301), gas springs for fully automatic opening, shaft cover can be custom-filled, distributor as per the client's request.

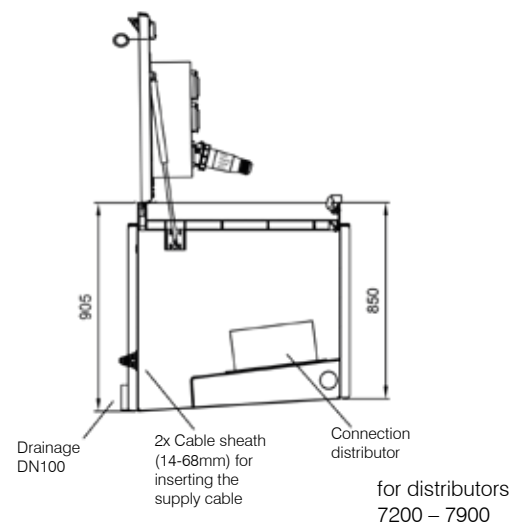
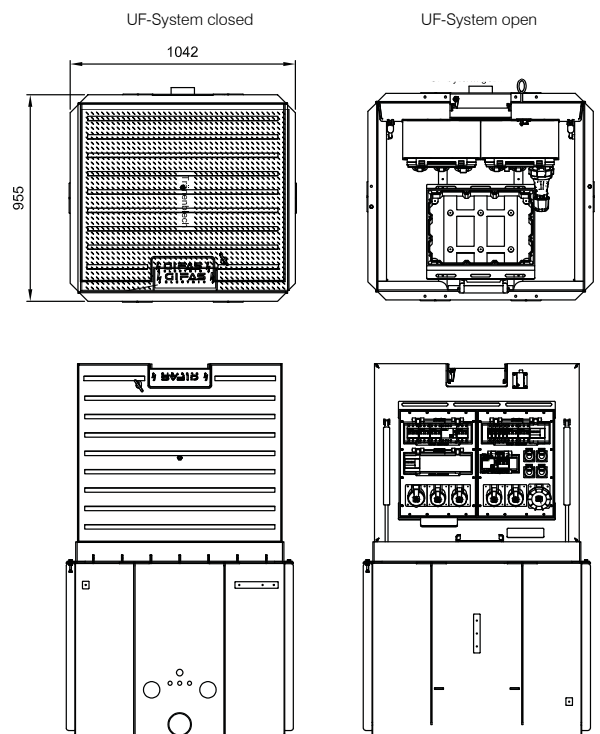
Technical additions

- Cover filling: The pit with a depth of 70mm can be custom-filled to blend in with its surroundings.
- Cable exit flap: (280x110mm) in the centre on the head side of the cover
- Locking: A self-cleaning lock with snap fastener closes the shaft cover (locking tool included in the scope of delivery).
- Heating (optional): To prevent the Floor Pit from being frozen in the closed position, a thermostatically controlled heating tape is built into the lid of the Floor Pit housing.
- Diving bell (optional): Protection against the risk of flooding.

It is the client's responsibility to ensure the standards-appropriate substructure, correct installation of the shaft and corresponding drainage. The shaft cover is not sealed against surface water.

Supplied package

- Stainless steel construction with
 - fillable shaft cover
 - solid rubber electrical distributor (Protection class II)
 - junction box (Protection class II)
- Fully assembled and wired.



RETRANT



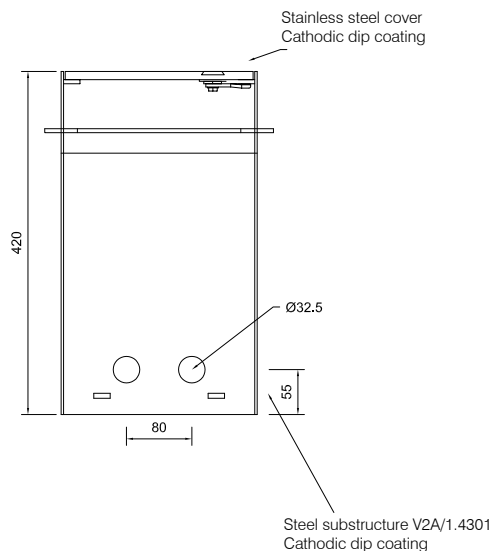
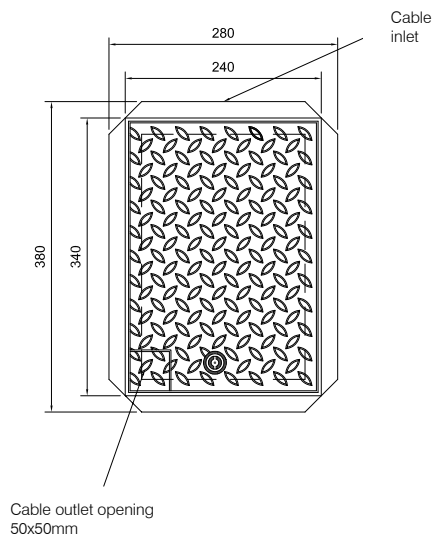
RETRANT (A15)



Product features

- Lockable/ walkable during operation
- Solid stainless steel construction, rust-free
- Completely maintenance-free (E-Check - DGUV A3)
- Cover made from non-slip steel floor plate
- No formation of condensation due to GIFAS solid rubber distributor (protection class II)
- Easy operation
- Ground-flush installation
- Excellent safety thanks to the GIFAS double pressure method; the cover is held securely closed even without a lock
- Locking is performed using a countersunk, cover-flush dual bit lock (1 key included in the scope of delivery)
- Cable exit for cables is located in the shaft cover

It is the client's responsibility to ensure the standards-appropriate substructure, correct installation of the shaft and corresponding drainage. The shaft cover is not sealed against surface water.



PICCOLINO 200 (C250)



PICCOLINO 120 (A15)



Product features

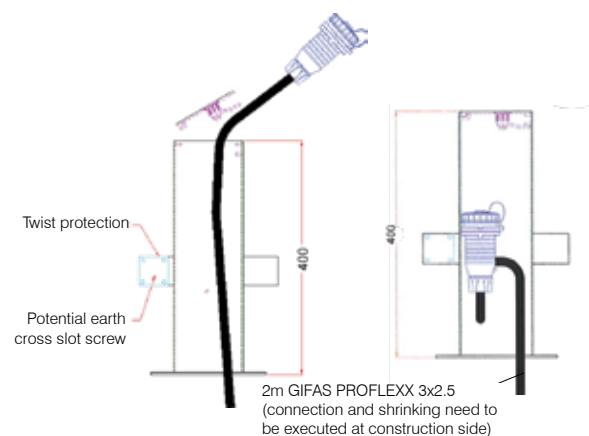
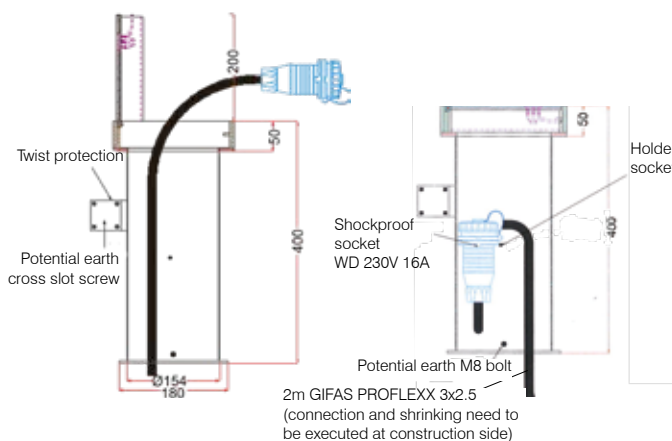
- Solid stainless steel construction, rust-free
- Completely maintenance-free (E-check)
- Cover made from non-slip steel floor plate
- Easy operation
- Can be walked on or driven over during operation
- Ground-flush installation
- Excellent operating safety thanks to reclosing after commissioning
- Locking is performed using a countersunk, cover-flush dual bit lock (1 key included in the scope of delivery)
- Cable exit opening in the cover lid for cables up to d=25mm

It is the client's responsibility to ensure the standards-appropriate substructure, correct installation of the shaft and corresponding drainage. The shaft cover is not sealed against surface water.

Product features

- Solid stainless steel construction, rust-free
- Completely maintenance-free (E-check)
- Cover made from non-slip steel floor plate
- Easy operation
- Can be walked on or driven over during operation
- Ground-flush installation
- Excellent operating safety thanks to reclosing after commissioning
- Locking is performed using a countersunk, cover-flush dual bit lock (1 key included in the scope of delivery)
- Cable exit opening in the cover lid for cables up to d=15 mm

It is the client's responsibility to ensure the standards-appropriate substructure, correct installation of the shaft and corresponding drainage. The shaft cover is not sealed against surface water.



PIAZZA (D400)



Lübeck city hall market, PIAZZA with payment system



Quedlingburg market square, PIAZZA 1000



Kempen "Buttermarkt", PIAZZA 1000



Dresden "Altmarkt", PIAZZA 700



Göttingen market square, PIAZZA 1000



Place de la Constitution Luxembourg, PIAZZA 1000

PIAZZA (D400)



Regensburg museum, PIAZZA 1000 with diving bell



Görlitz "Postplatz", PIAZZA 700



"Dresdner Zwinger", PIAZZA 700



Tottenham Hotspur Station, PIAZZA 700 and PIAZZA 1000



SpOrt Stuttgart, PIAZZA 580



Glasgow Sports Arena / Velodrom, PIAZZA 700

Airports - PIAZZA (F900)



Glasgow Bond Heliport, PIAZZA 2000



Glasgow Bond Heliport, PIAZZA 2000



Hangar, PIAZZA 2000



Hangar, PIAZZA 2000



Airport, Faeroe Islands, PIAZZA 2000



Katowice Airport, PIAZZA 2000

CAMPETTO (B125)



“Daimler” presentation hall, CAMPETTO VI



CFL garage Luxembourg, CAMPETTO VI



CruiseCenter Hamburg, CAMPETTO VIII



Melitta Minden, CAMPETTO VI



City Bitburg, CAMPETTO VI



“Nordfrost” Wilhelmshaven, CAMPETTO VI

CAMPETTO (B125/A15)



"Buga" Schwerin, CAMPETTO V (A15)



Kamp-Lintfort marketplace, CAMPETTO VIII



"Buga" Coblenz, CAMPETTO VI and CAMPETTO VIII with diving bell



Münster "Alter Steinweg", CAMPETTO VI



Market square Magdeburg, CAMPETTO VIII



City Brühl CAMPETTO VI

CAMPETTO (B125/A15)



St. Jacob Park Basel, CAMPETTO V (A15)



London Wembley Stadium, CAMPETTO VI



Lower Marsh Market, London, CAMPETTO VI



Duisburg Tiger&Turtle, CAMPETTO V (A15) + CAMPETTO VI (B125)



Sea King Militär Hangar, CAMPETTO VIII



Airport hangar, CAMPETTO VI

RETRANT / PICCOLINO



Wiesbaden health resort, RETRANT



Neuzelle monastery, RETRANT



Residential building, PICCOLINO 200



Bremen "Wesercafé", RETRANT

GIFAS live experience!

How it works

Download the GIFAS Augmented Reality App free for your smartphone or tablet. Then scan the picture that you can see below - the so-called marker - with the GIFAS app. You are now able to look at the product that you have selected from various angles and all sides. Enjoy your 3D tour!

Instructions

The GIFAS app has been developed for use on modern tablets and smartphones using both Apple iOS and Android operating systems. Older devices and software may experience some limitations in their functionality. Due to the larger display size, the app's features are generally at their best on a tablet.

Tip

If you need to place your tablet or smartphone very close to the marker for it to be detected, this may be because there isn't enough light. How it's done: First, point the camera at the marker at close range. Once the app has captured the marker and constructed the 3D model, you can slowly move the device away from the marker - up to a distance of 3 metres. Keep the phone or tablet as still as possible.



Download
the GIFAS
app here

WE ARE EXPERTS IN YOUR FIELD

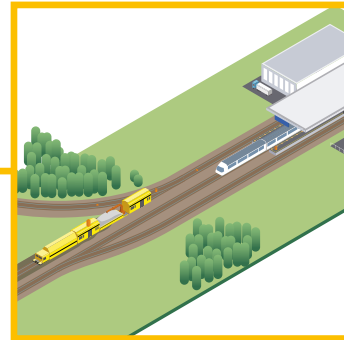
Underfloor distributors



Public sector



Industrial sector



Transportation

THE GIFAS WORLD.

All products for your sector at a glance.

More on www.gifas.de/en/gifas-world