



AESTHETICS AND FUNCTIONALITY IN HARMONY.

Whether in hotels and restaurants, in conference rooms or in public areas such as foyers and exhibition spaces - GIFAS floor outlets look modern and unobtrusively, suiting any style of architecture. You can make your selection from our comprehensive portfolio.



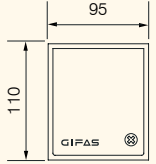


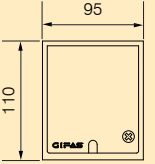


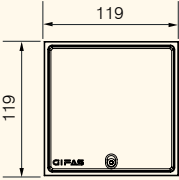


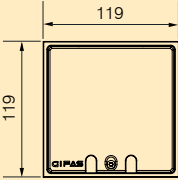


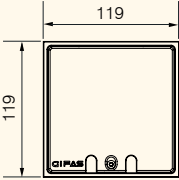





General	92
FONTO	96
MASSO	110
Application cases	115
3D Visualisation	119

General



Overview FONTO











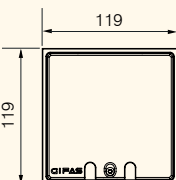
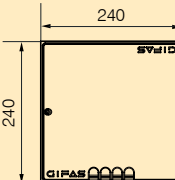
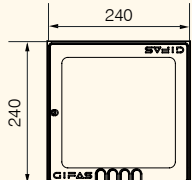
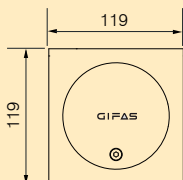
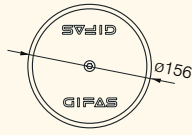





Areas of application: Indoor area or protected outdoor area

Models	FONTO 2000	FONTO 2005	FONTO 4290	FONTO 4295	FONTO 4301
	  	  	  	  	  
Technical data					
Socket symbols					
Max. equipment	1xprotective contact socket 230V*	1xprotective contact socket 230V*	2xprotective contact socket 230V*	2xprotective contact socket 230V*	2xprotective contact socket 230V*
Cleaning type (IP)	dry or wet-cleaned	dry-cleaned	dry or wet-cleaned	dry-cleaned	dry or wet-cleaned
IP closed mode	IP65	IP20	IP65	IP20	IP65
IP plugged-in	IP20	IP20	IP20	IP20	IP20
Cover type	hinged cover, hinge	hinged cover, hinge	hinged cover, hinge	hinged cover, hinge	hinged cover, removable
Fillable cover	no	no	no	no	no
Cover closure type	Snap lock	Snap lock	Snap lock	Snap lock	Snap lock
Levelling support	yes (optionally)	yes (optionally)	yes (optionally)	yes (optionally)	yes (optionally)
Cable outlet	no	yes	no	yes	yes
Load coveracity	2t (20 kN)	2t (20 kN)	2t (20 kN)	2t (20 kN)	2t (20 kN)
Dimensions (LxW)	110x95mm	110x95 mm	119x119mm	119x119mm	119x119mm
Mounting depth	75 mm	75 mm	77-255 mm	77-255 mm	77-255 mm
Level-adjustable after installation	yes	yes	yes	yes	yes
Material: Aluminium...	natur grounded	natur grounded	anodised	anodised	anodised
Feed-in cable	2xback M25 (bottom possible)	2xback M25 (bottom possible)	2xback M25 (bottom possible)	2xback M25 (bottom possible)	2xback M25 (bottom possible)
Detailed description on page	96	97	98	99	100

* Reading example: 1xprotective contact socket 230V = for 1xmounting socket insert 45x45x4 mm (e.g. protective contact socket 230V, British Standard, RJ45, TV, HDMI, USB etc.)

Overview FONTO

Areas of application: Indoor area or protected outdoor area





Models	FONTO 4308	FONTO 8301	FONTO 8308	FONTO 4970W	FONTO 5000
					
					
					
Technical data					
Socket symbols					
Max. equipment	2xprotective contact socket 230V*	8xprotective contact socket 230V*	8xprotective contact socket 230V*	1xprotective contact socket 230V* / 1xRJ45*	2xprotective contact socket 230V* / 2xRJ45*
Cleaning type (IP)	dry or wet-cleaned	dry or wet-cleaned	dry or wet-cleaned	dry or wet-cleaned	dry or wet-cleaned
IP closed mode	IP65	IP65	IP67	IP67	IP67
IP plugged-in	IP20	IP20	IP20	**IP67 bis 18 mm	**IP67 bis 14 mm
Cover type	hinged cover, removable	hinged cover, removable	hinged cover, removable	screw cover with water protection pipe	screw cover with water protection pipe
Fillable cover	yes	no	yes	no	no
Cover closure type	Snap lock	Snap lock	Snap lock	Allen screw	Allen screw
Levelling support	yes (optionally)	yes (optionally)	yes (optionally)	yes (optionally)	yes (optionally)
Cable outlet	yes	yes	yes	no	no
Load capacity	2t (20kN)	2t (20kN)	2t (20kN)	2t (20kN)	4t (40kN)
Dimensions (LxW)	119x119 mm	240x240 mm	240x240 mm	119x119 mm	rund, Ø 156 mm
Mounting depth	77 - 255 mm	95 mm	95 mm	83 mm	95 mm
Level-adjustable after installation	yes	yes	yes	yes	no
Material: Aluminium...	anodised	anodised	anodised	anodised	anodised
Feed-in cable	2xback M25 (bottom possible)	6xon the side M25 across	6xon the side M25 across	2xback M25	4xM32 on the side shifted
Detailed description on page	101	102	103	106	107

* Reading example: 1xprotective contact socket 230V = for 1xmounting socket insert 45x45x4 mm (e.g. protective contact socket 230V, British Standard, RJ45, TV, HDMI, USB etc.) ** With fitted water protection pipe suitable for cleaning with wet sweepers.



Overview FONTO


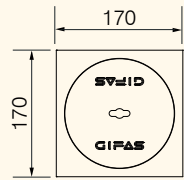

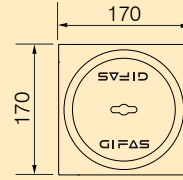

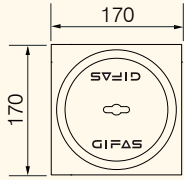

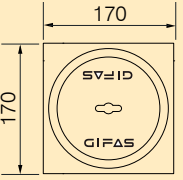

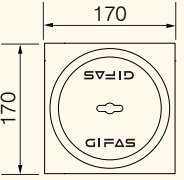





Areas of application: Indoor area or protected outdoor area

Models	FONTO 9301	FONTO 9308
		
Technical data		
Socket symbols		
Max. equipment	2xSchuko + CEE*	2xSchuko + CEE*
Cleaning type (IP)	dry or wet-cleaned	dry or wet-cleaned
IP closed mode	IP67**	IP67**
IP plugged-in	IP54	IP54
Cover type	hinged cover, removable	hinged cover, removable
Fillable cover	no	yes
Cover closure type	Snap lock	Snap lock
Levelling support	yes (optionally)	yes (optionally)
Cable outlet	no	yes
Load capacity	5t (50 kN)	5t (50 kN)
Dimensions (LxW)	320x240 mm	5t (50 kN)
Mounting depth	276,5mm	276,5mm
Level-adjustable after installation	yes	yes
Material: Aluminium...	anodised	anodised
Feed-in cable	2xback M20 2xback M25	2xback M20 2xback M25
Detailed description on page	104	105

* Reading example: 1xprotective contact socket 230V = for 1xmounting socket insert 45x45x4 mm (e.g. protective contact socket 230V, British Standard, RJ45, TV, HDMI, USB etc.)

Overview MASSO

Areas of application: Indoor area or protected outdoor area

Models	MASSO 3000.2	MASSO 4000	MASSO 4010	MASSO 8000	MASSO 8010
Technical data	 	 	 	 	 
Socket symbols					
Max. equipment	2xprotective contact socket 2x RJ45*	4xprotective contact socket*	1xCEE 16/5*	2xprotective contact socket 2x RJ45*	3xprotective contact socket + CEE 16/5*
Cleaning type (IP)	dry or wet-cleaned	dry or wet-cleaned	dry or wet-cleaned	dry or wet-cleaned	dry or wet-cleaned
IP closed mode	IP67	IP67	IP67	IP67	IP67
IP plugged-in	IP20	IP54	IP54	IP20	IP54
Cover type	Screw cover	Screw cover	Screw cover	Screw cover	Screw cover
Fillable cover	no	no	no	no	no
Cover closure type	Allen screw	Allen screw	Allen screw	Allen screw	Allen screw
Levelling support	yes	yes	yes	yes	yes
Cable outlet	no	no	no	no	no
Load capacity	4t (40kN)	4t (40kN)	4t (40kN)	4t (40kN)	4t (40kN)
Dimensions (LxW)	170x170mm	170x170mm	170x170mm	170x170mm	170x170mm
Mounting depth	145-245mm	190-290mm	190-290mm	145-245mm	255-375mm
Level-adjustable after installation	no	no	no	no	no
Material: Aluminium...	anodised	anodised	anodised	anodised	anodised
Feed-in cable	3xM32 on the side shifted	3xM32 on the side shifted	4xM32 on the side shifted	3xM32 on the side shifted	4xM32 on the side shifted
Entwässerung	yes	no	no	yes	no
Detailed description on page	126	127	128	129	130

* Reading example: 1xCEE 16/5 plus 2xprotective contact socket 230V = for 1xmounting socket insert 70x70x55 mm (e.g. CEE 16/5, CEE 32/5) + 2xmounting socket insert 45x45x4 mm (e.g. protective contact socket 230V, RJ45, TV, HDMI, USB etc.)

FONTO with hinged cover

FONTO 2000

Floor socket with hinged cover
(levelling feet optionally available)



Technical data

Dimensions (LxW)	110 x 95 mm
Mounting depth	approx. 75 mm
Levellable	72 - 78 mm
Installation height with levelling feet	88 - 130 mm
Installation height with threaded pin extension	88* - 230 mm
Material: Aluminium	natur grounded
Color	natur grounded
Max. static load	20kN
Max. conductor cross-section	depending on module use

Item no.	Description	Equipment
840886	FONTO 2000 with hinged cover, 110 x 95 x 75 mm, closed IP65, alu-natural ground, 1 modul 45 x 45 mm, levellable +/- 3 mm	without Equipment

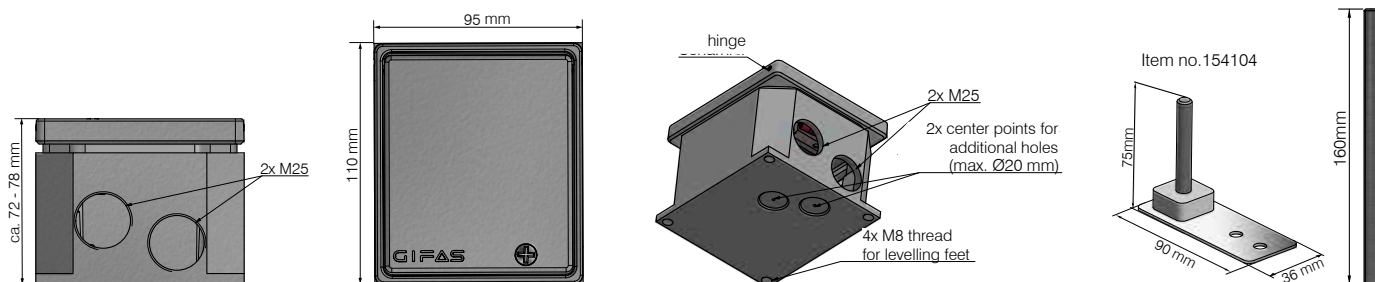
Features

- Frame can be levelled in the offset state (+/- 3 mm) for simple adjustment to the finished floor level
- floor socket to be placed flush with the floor with hinged cover
- For 1x input 45 x 45 x 4 mm (e.g. Schuko, RJ45, TV, HDMI, USB etc.)
- Can be driven over when closed
- When closed, suitable for maintenance with wet sweepers (IP65)
- When plugged in, only for dry-cleaned floors (IP20)

Accessories / spare parts

Item no.	Description
154104	FONTO/MASSO levelling screw: consisting of: 1x base plate + 1x levelling pin M8x60
840768	FONTO/MASSO grub screw extension M8x160mm, galvanized

* Shorten the setscrew as required



Levelling feet are only used to set up the floor socket. Loading class / stability is only achieved by backfilling the floor socket with solid material (mortar, concrete ...).

FONTO 2005

Floor socket with hinged cover and cable outlet
(levelling feet optionally available)



Technical data

Dimensions (LxW)	110 x 95 mm
Mounting depth	approx. 75 mm
Levellable	72 - 78 mm
Installation height with levelling feet	88 - 130 mm
Installation height with threaded pin extension	88* - 230 mm
Material: Aluminium	natur grounded
Color	natur grounded
Max. static load	20kN
Max. conductor cross-section	depending on module use

Features

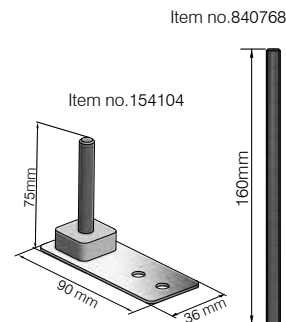
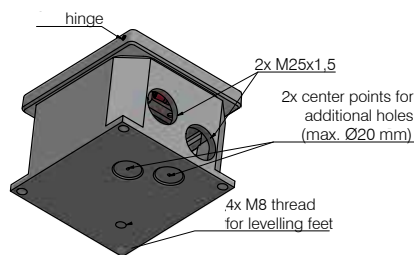
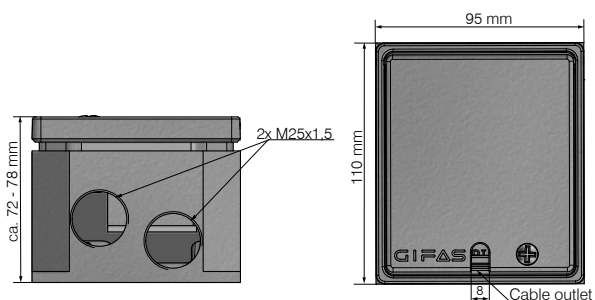
- Frame can be levelled in the offset state (+/- 3 mm) for simple adjustment to the finished floor level
- Floor socket to be placed flush with the floor with hinged cover including 1x cable outlet
- For 1x input 45 x 45 x 4 mm (e.g. Schuko, RJ45, TV, HDMI, USB etc.)
- Can be driven over when closed
- When closed, suitable for maintenance with wet sweepers (IP65)
- When plugged in, only for dry-cleaned floors (IP20)

Item no.	Description	Equipment
840891	FONTO 2005 with hinged cover and cable outlet, 110x95x75 mm, closed IP20, alu-natural ground , 1 modul 45x45 mm, levellable +/- 3 mm	without Equipment

Accessories / spare parts

Item no.	Description
154104	FONTO/MASSO levelling screw: consisting of: 1x base plate + 1x levelling pin M8x60
840768	FONTO/MASSO grub screw extension M8x160mm, galvanized

* Shorten the setscrew as required



Levelling feet are only used to set up the floor socket. Loading class / stability is only achieved by backfilling the floor socket with solid material (mortar, concrete ...).

FONTO with hinged cover

FONTO 4290

Floor socket with hinged cover (levelling feet optionally available)



levellable: +/- 6 mm

Technical data

Dimensions (LxW)	119 x 119 mm
Mounting depth	approx. 83 mm
Levellable	77 - 89 mm
Installation height with levelling feet	95 - 140 mm
Installation height with threaded pin extension	95* - 240 mm
Material: Aluminium	anodised
	(salt and seawater resistant)
Color	anodised
Max. static load	20kN

Features

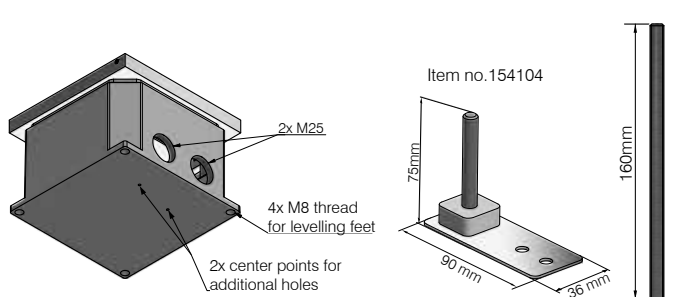
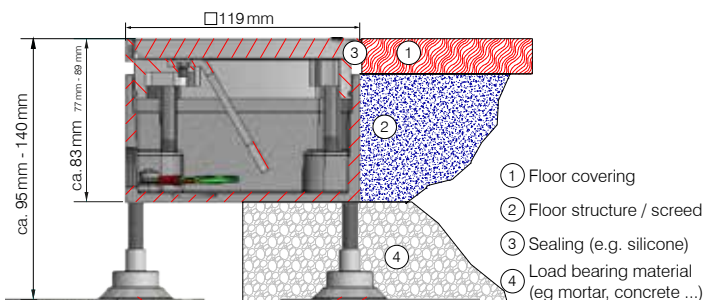
- Frame can be levelled in the offset state (+/- 6 mm) for simple adjustment to the finished floor level
- Floor socket to be placed flush with the floor with hinged cover
- For 2x input 45 x 45 x 4 mm (e.g. Schuko, RJ45, TV, HDMI, USB etc.)
- Protective cover made of cardboard to prevent damage during the construction phase (integrated in packaging)
- Can be driven over when closed
- When closed, suitable for maintenance with wet sweepers (IP65)
- When plugged in, only for dry-cleaned floors (IP20)

Item no.	Description	Equipment
840725	FONTO 4290 with hinged cover 119 x 119 x 83 mm, closed IP65, Anodised aluminium, for 2 modules 45 x 45 mm, levellable +/- 6 mm	without Equipment
840770	FONTO 4290 with hinged cover, without cable outlet, 119x119x83mm, close mode IP65, Anodised aluminium, levellable +/- 6 mm	1xprotective contact socket 230V 2xRJ45
840769	FONTO 4290 with hinged cover, without cable outlet, 119x119x83mm, close mode IP65, Anodised aluminium, levellable +/- 6 mm	2xprotective contact socket 230V
840819	FONTO 4290 with hinged cover, without cable outlet, 119x119x83mm, close mode IP65, Anodised aluminium, levellable +/- 6 mm	2xBritish Standard (2x13A)

Accessories / spare parts

Item no.	Description
154104	FONTO/MASSO levelling screw: consisting of: 1x base plate + 1x levelling pin M8 x60
840768	FONTO/MASSO grub screw extension M8x160mm, galvanized

* Shorten the setscrew as required



Levelling feet are only used to set up the floor socket. Loading class / stability is only achieved by backfilling the floor socket with solid material (mortar, concrete ...).

FONTO 4295

Floor socket with hinged cover and 2xcable outlet
(levelling feet optionally available)



levellable: +/- 6mm

Technical data

Dimensions (LxW)	119 x 119 mm
Mounting depth	approx. 83 mm
Levellable	77 - 89 mm
Installation height with levelling feet	95 - 140 mm
Installation height with threaded pin extension	95* - 240 mm
Material: Aluminium	anodised
	(salt and seawater resistant)
Color	anodised
Max. static load	20kN

Features

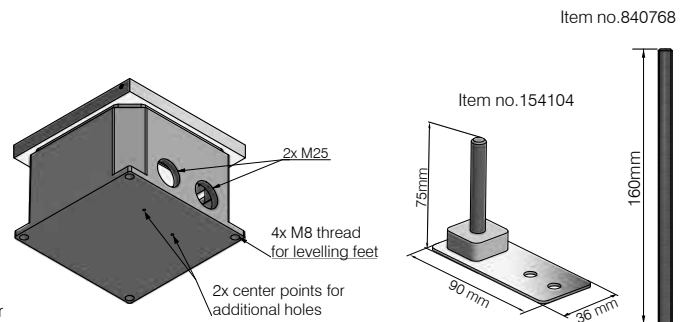
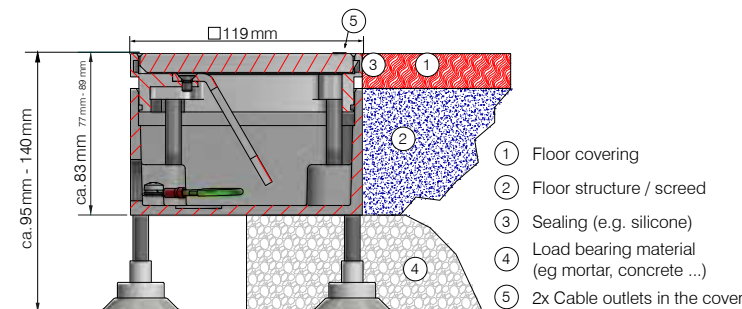
- Frame can be levelled in the offset state (+/- 6 mm) for simple adjustment to the finished floor level
- Floor socket to be placed flush with the floor with hinged cover including 2x cable outlet
- For 2x input 45 x 45 x 4 mm (e.g. Schuko, RJ45, TV, HDMI, USB etc.)
- Protective cover made of cardboard to prevent damage during the construction phase (integrated in packaging)
- Can be driven over when closed
- When closed and plugged in only for dry-cleaned floor (IP20)

Item no.	Description	Equipment
840764	FONTO 4295 with hinged cover 119 x 119 x 83 mm and cable outlet, closed IP65, Anodised aluminium, levellable +/- 6 mm	without Equipment
840772	FONTO 4295 with hinged cover 119 x 119 x 83 mm and cable outlet, closed IP65, Anodised aluminium, levellable +/- 6 mm	1xprotective contact socket 230V 2xRJ45
840771	FONTO 4295 with hinged cover 119 x 119 x 83 mm and cable outlet, closed IP65, Anodised aluminium, levellable +/- 6 mm	2xprotective contact socket 230V
840822	FONTO 4295 with hinged cover 119 x 119 x 83 mm and cable outlet, closed IP65, Anodised aluminium, levellable +/- 6 mm	2xBritish Standard (2x13A)

Accessories / spare parts

Item no.	Description
154104	FONTO/MASSO levelling screw: consisting of: 1x base plate + 1x levelling pin M8x60
840768	FONTO/MASSO grub screw extension M8x160mm, galvanized

* Shorten the setscrew as required

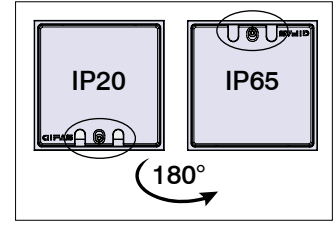


Levelling feet are only used to set up the floor socket. Loading class / stability is only achieved by backfilling the floor socket with solid material (mortar, concrete ...).

FONTO with hinged cover

FONTO 4301

Floor socket with hinged cover and levelling frame
(levelling feet optionally available)



levellable: +/- 6 mm

Technical data

Dimensions (LxW)	119 x 119 mm
Mounting depth	approx. 83 mm
Levellable	77 - 89 mm
Installation height with levelling feet	95 - 140 mm
Installation height with threaded pin extension	95* - 240 mm
Material: Aluminium	anodised
	(salt and seawater resistant)
Color	anodised
Max. static load	20kN

Features

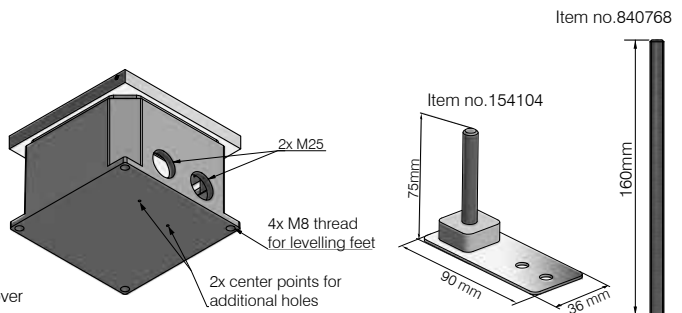
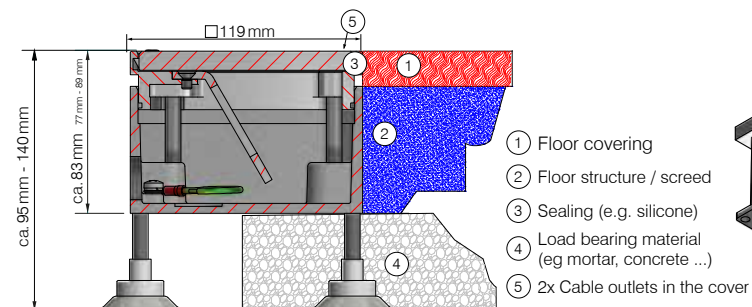
- Frame can be levelled in the offset state (+/- 6 mm) for simple adjustment to the finished floor level
- Floor socket to be placed flush with the floor with hinged cover including 2x cable outlet
- For 2x input 45 x 45 x 4 mm (e.g. Schuko, RJ45, TV, HDMI, USB etc.)
- Protective cover made of cardboard to prevent damage during the construction phase (integrated in packaging)
- Can be driven over when closed
- When closed, suitable for maintenance with wet sweepers (IP65)
- When closed and plugged in only for dry-cleaned floor (IP20)

Item no.	Description	Equipment
840765	FONTO 4301 with hinged cover and cable outlet, 119 x 119 x 83 mm, closed IP65, Anodised aluminium, 2 modules 45 x 45 mm, levellable +/- 6 mm	without Equipment
840774	FONTO 4301 with hinged cover and cable outlet, 119 x 119 x 83 mm, closed IP65, Anodised aluminium, 2 modules 45 x 45 mm, levellable +/- 6 mm	1x protective contact socket 230V 2x RJ45
840773	FONTO 4301 with hinged cover and cable outlet, 119 x 119 x 83 mm, closed IP65, Anodised aluminium, 2 modules 45 x 45 mm, levellable +/- 6 mm	2x protective contact socket 230V
840827	FONTO 4301 with hinged cover and cable outlet, 119 x 119 x 83 mm, closed IP65, Anodised aluminium, 2 modules 45 x 45 mm, levellable +/- 6 mm	2x British Standard (2x 13A)

Accessories / spare parts

Item no.	Description
154104	FONTO/MASSO levelling screw: consisting of: 1x base plate + 1x levelling pin M8 x 60
840768	FONTO/MASSO grub screw extension M8 x 160 mm, galvanized

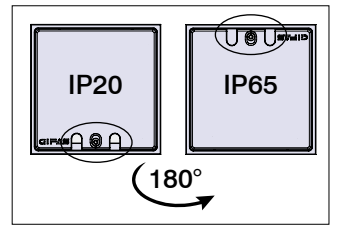
* Shorten the setscrew as required



Levelling feet are only used to set up the floor socket. Loading class / stability is only achieved by backfilling the floor socket with solid material (mortar, concrete ...).

FONTO 4308

Floor socket with hinged cover and fillable cover, levelling frame, 2x cable outlet (levelling feet optionally available)



levellable: +/- 6 mm

Technical data

Dimensions (LxW)	119 x 119 mm
Mounting depth	approx. 83 mm
Levellable	77 - 89 mm
Installation height with levelling feet	95 - 140 mm
Installation height with threaded pin extension	95* - 240 mm
Recess depth for flooring	7 mm
Material: Aluminium	anodised
	(salt and seawater resistant)
Color	anodised
Max. static load	20kN

Features

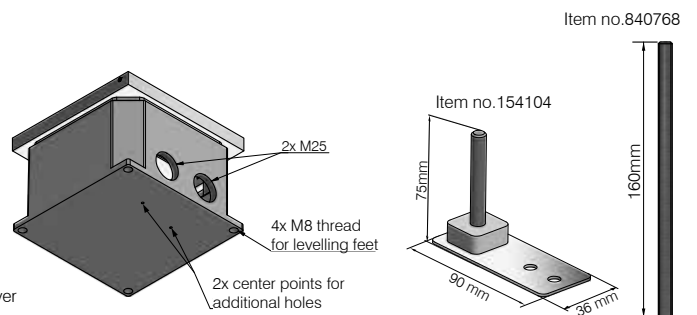
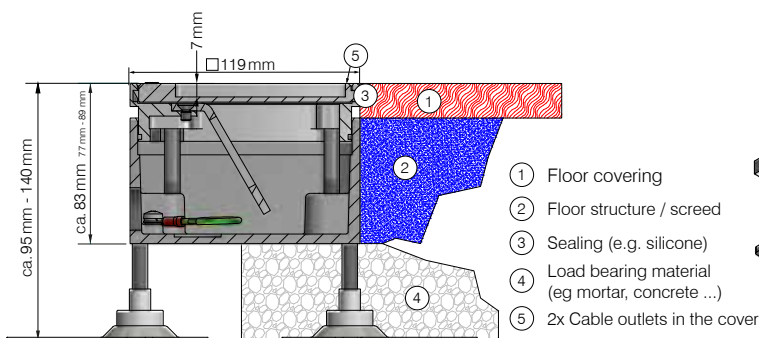
- Frame can be levelled in the offset state (+/- 6 mm) for simple adjustment to the finished floor level
- Floor socket to be placed flush with the floor with hinged cover including 2x cable outlet
- For 2x input 45 x 45 x 4 mm (e.g. Schuko, RJ45, TV, HDMI, USB etc.)
- Protective cover made of cardboard to prevent damage during the construction phase (integrated in packaging)
- Can be driven over when closed
- When closed, suitable for maintenance with wet sweepers (IP65)
- When closed and plugged in only for dry-cleaned floor (IP20)

Item no.	Description	Equipment
840766	FONTO 4301 with hinged cover and cable outlet, 119 x 119 x 83 mm, closed IP65, Anodised aluminium, 2 modules 45 x 45 mm, levellable +/- 6 mm	without Equipment
840776	FONTO 4301 with hinged cover and cable outlet, 119 x 119 x 83 mm, closed IP65, Anodised aluminium, 2 modules 45 x 45 mm, levellable +/- 6 mm	1x protective contact socket 230V 2x RJ45
840775	FONTO 4301 with hinged cover and cable outlet, 119 x 119 x 83 mm, closed IP65, Anodised aluminium, 2 modules 45 x 45 mm, levellable +/- 6 mm	2x protective contact socket 230V
840830	FONTO 4301 with hinged cover and cable outlet, 119 x 119 x 83 mm, closed IP65, Anodised aluminium, 2 modules 45 x 45 mm, levellable +/- 6 mm	2x British Standard (2x 13A)

Accessories / spare parts

Item no.	Description
154104	FONTO/MASSO levelling screw: consisting of: 1x base plate + 1x levelling pin M8x60
840768	FONTO/MASSO grub screw extension M8x160mm, galvanized

* Shorten the setscrew as required



Levelling feet are only used to set up the floor socket. Loading class / stability is only achieved by backfilling the floor socket with solid material (mortar, concrete ...).

FONTO with removable cover

FONTO 8301

Floor socket with removable cover and levelling frame,
4xcable outlet (levelling feet optionally available)



Technical data

Dimensions (LxW)	240 x 240 mm
Mounting depth	approx. 95 mm
Levellable	90 - 100 mm
Installation height with levelling feet	105 - 150 mm
Installation height with threaded pin extension	105* - 250 mm
Material: Aluminium	anodised
	(salt and seawater resistant)
Color	anodised
Max. static load	20kN

Item no.	Description	Equipment
840845	FONTO 8301 with hinged cover and cable outlet, 240 x 240 x 95 mm, closed IP65, Anodised aluminium, for 8 modules 45 x 45 mm, levellable +/- 5 mm	without Equipment
840865	FONTO 8301 with hinged cover and cable outlet, 240 x 240 x 95 mm, closed IP65, Anodised aluminium, for 2 inserts British standard, levellable +/- 5 mm	British Standard

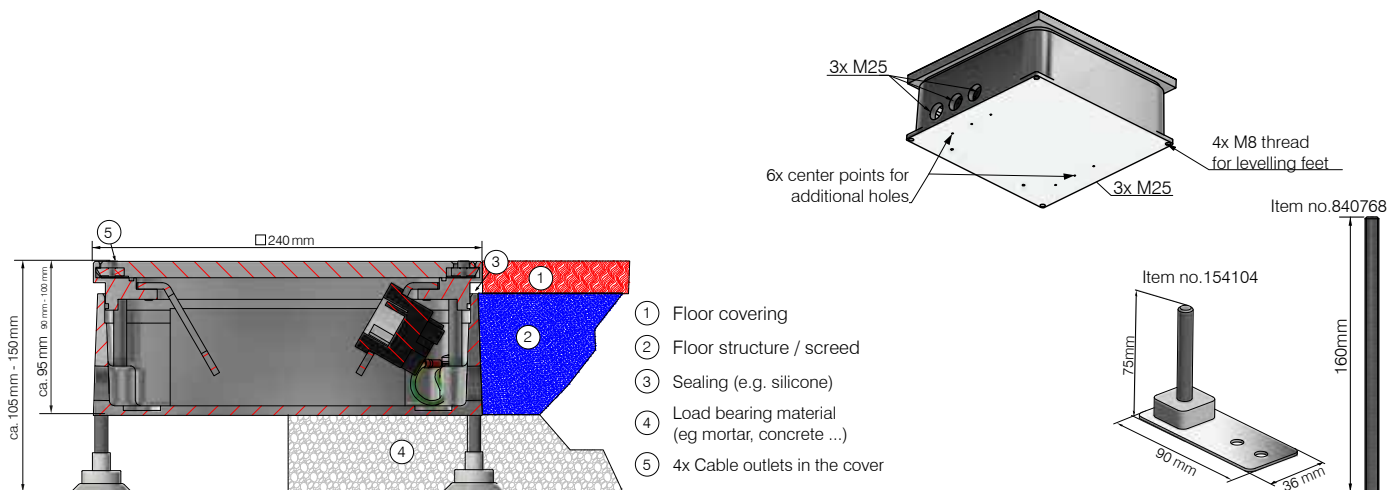
Features

- Frame can be levelled in the offset state (+/- 5 mm) for simple adjustment to the finished floor level
- Floor socket to be placed flush with the floor with hinged cover including 4x cable outlet
- For 8x input 45 x 45 x 4 mm (e.g. Schuko, RJ45, TV, HDMI, USB etc.)
- Can be driven over when closed
- When closed, suitable for maintenance with wet sweepers (IP65)
- When closed and plugged in only for dry-cleaned floor (IP20)

Accessories / spare parts

Item no.	Description
154104	FONTO/MASSO levelling screw: consisting of: 1x base plate + 1x levelling pin M8 x 60
840862	FONTO cable outlet, insertion piece for cable outlet, floor socket FONTO 8301 and FONTO 8308
840768	FONTO/MASSO grub screw extension M8x160mm, galvanized

* Shorten the setscrew as required



Levelling feet are only used to set up the floor socket. Loading class / stability is only achieved by backfilling the floor socket with solid material (mortar, concrete ...).

FONTO 8308

Floor socket with removable cover and fillable cover, levelling frame, 4xcable outlet (levelling feet optionally available)



Technical data

Dimensions (LxW)	240 x 240 mm
Mounting depth	approx. 95 mm
Levellable	90 - 100 mm
Installation height with levelling feet	105 - 150 mm
Installation height with threaded pin extension	105* - 250 mm
Recess depth for flooring	7 mm
Material: Aluminium	anodised
	(salt and seawater resistant)
Color	anodised
Max. static load	20kN

Features

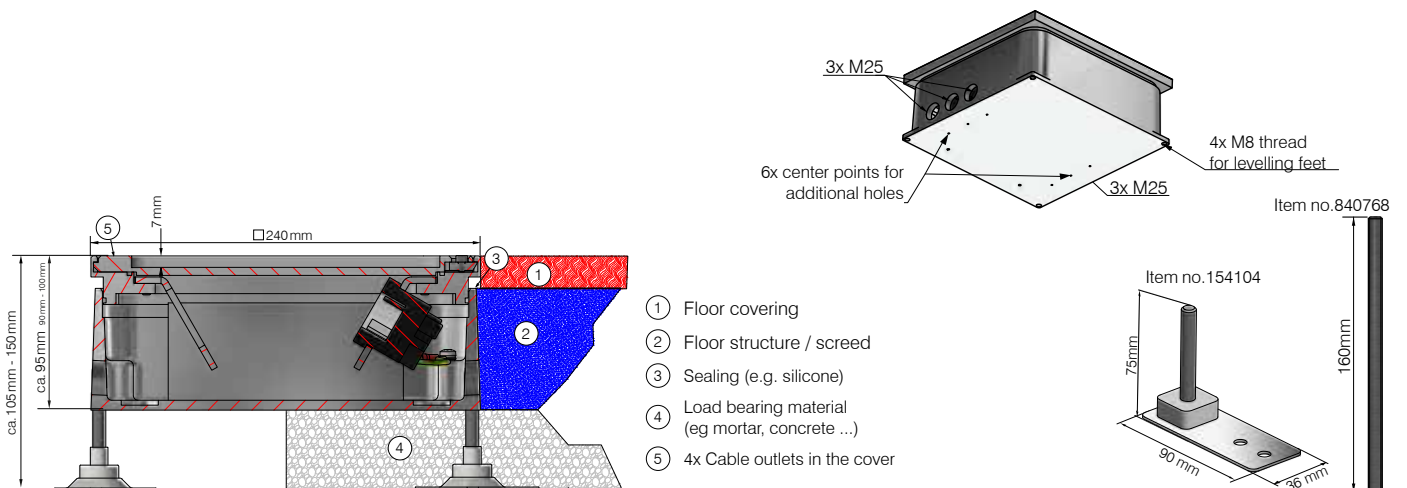
- Frame can be levelled in the offset state (+/- 5 mm) for simple adjustment to the finished floor level
- Floor socket to be placed flush with the floor with hinged cover including 4x cable outlet
- For 8x input 45 x 45 x 4 mm (e.g. Schuko, RJ45, TV, HDMI, USB etc.)
- Can be driven over when closed
- When closed, suitable for maintenance with wet sweepers (IP65)
- When closed and plugged in only for dry-cleaned floor (IP20)

Item no.	Description	Equipment
840848	FONTO 8308 with cover for flooring and cable outlet, 240 x 240 x 95 mm, closed IP65, Anodised aluminium for 8 modules 45 x 45 mm, levellable +/- 5 mm	without Equipment

Accessories / spare parts

Item no.	Description
154104	FONTO/MASSO levelling screw: consisting of: 1x base plate + 1x levelling pin M8x60
840862	FONTO cable outlet, insertion piece for cable outlet, floor socket FONTO 8301 and FONTO 8308
840768	FONTO/MASSO grub screw extension M8x160mm, galvanized

* Shorten the setscrew as required



Levelling feet are only used to set up the floor socket. Loading class / stability is only achieved by backfilling the floor socket with solid material (mortar, concrete ...).

FONTO with removable cover

FONTO 9301

Floor socket with removable cover and levelling frame, cable outlet
(levelling feet optionally available)



Technical data

Dimensions (L×W×H)	320×240×276,5 mm
Mounting depth	276,5 mm
Installation height with levelling feet	292 - 336 mm
Material	
Cover/Frame	Anodised (salt and seawater resistant) Socket V2A (1.4301)
Protection category	IP54 - IP67 Drainage/Note drainage
Cover	Removable cover
Closure type	Snap lock
Cable outlet	yes
Max. static load	5 t (50 kN)
Supply cable:	2×back M20
Levelling feet:	2×back M25 yes (optionally)

Features

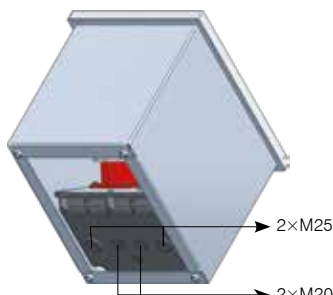
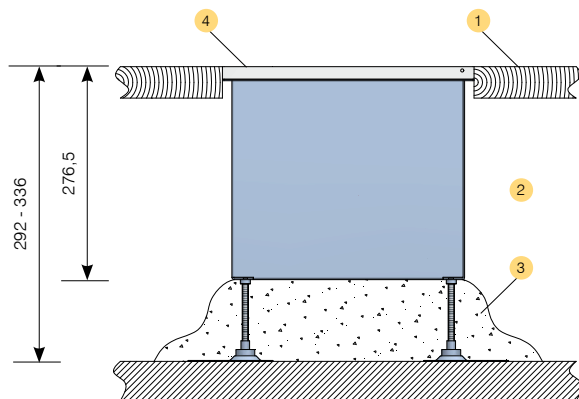
- for indoor or outdoor use
- can be driven over when closed
- Cover with 4-edge lock available on request

Item no.	Description	Equipment
860856	FONTO 9301	2×CEE 16 / 5
860926	FONTO 9301	2×CEE 16 / 3
860858	FONTO 9301	1×CEE 16 / 5 2×T25
860860	FONTO 9301	1×CEE 32 / 5
860862	FONTO 9301	1×CEE 16 / 5 2×protective contact socket
860864	FONTO 9301	1×CEE 16 / 5 1×British Standard (1×13 A)
860866	FONTO 9301	2×British Standard (2×13 A)

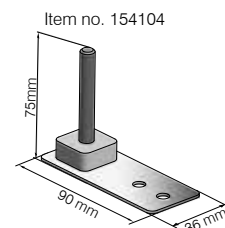
Accessories / spare parts

Item no.	Description
154104	FONTO/MASSO levelling screw: consisting of: 1x base plate + 1x levelling pin M8×60
840862	FONTO cable outlet, insertion piece for cable outlet, floor socket
220847	FONTO recess box in polystyrene

* Shorten the setscrew as required



- 1 Floor covering
- 2 Floor structure / screed
- 3 Load bearing material (eg mortar, concrete ...)
- 4 4x Cable outlet in cover



Levelling feet are only used to set up the floor socket. Loading class / stability is only achieved by backfilling the floor socket with solid material (mortar, concrete ...).

FONTO 9308

Floor socket with removable cover and fillable cover, levelling frame, cable outlet (levelling feet optionally available)



Technische Daten

Dimensions (L×W×H)	320×240×276.5 mm
Mounting depth	276.5 mm (Delivery status)
Installation height with levelling feet	292 - 336 mm
Material	
Cover/Frame	Anodised (salt and seawater resistant)
Protection category	Socket V2A (1.4301) IP54 - IP67 Drainage/Note drainage
Cover	Removable cover
Closure type	Snap lock
Cable outlet	yes
Max. static load	5t (50kN)
Supply cable:	2×M20 unten 2×M25 unten
Levelling feet:	yes (optional)

Features

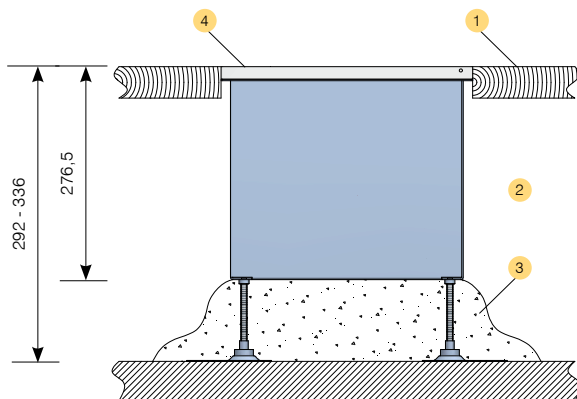
- for indoor or outdoor use
- can be driven over when closed
- Cover with 4-edge lock available on request

Item no.	Description	Equipment
860857	FONTO 9308	2×CEE 16 / 5
860859	FONTO 9308	1×CEE 16 / 5 2×T25
860861	FONTO 9308	1×CEE 32 / 5
860863	FONTO 9308	1×CEE 16 / 5 2×protective contact socket
860865	FONTO 9308	1×CEE 16 / 5 1×British Standard (1×13 A)
860867	FONTO 9308	2×British Standard (2×13 A)

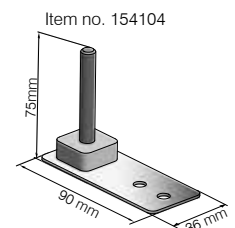
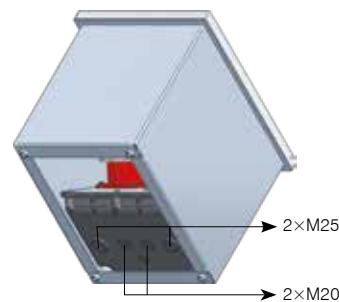
Accessories / spare parts

Item no.	Description
154104	FONTO/MASSO levelling screw: consisting of: 1x base plate + 1x levelling pin M8x60
840862	FONTO cable outlet, insertion piece for cable outlet, floor socket
220847	FONTO recess box in polystyrene

* Shorten the setscrew as required



- ① Floor covering
- ② Floor structure / screed
- ③ Load bearing material (eg mortar, concrete ...)
- ④ 4x Cable outlet in cover



Levelling feet are only used to set up the floor socket. Loading class / stability is only achieved by backfilling the floor socket with solid material (mortar, concrete ...).

FONTO with screw cover

FONTO 4970W

Floor socket with screw cover and outlet pipe levelling frame (levelling feet optionally available)



Technical data

Dimensions (LxW)	119 x 119 mm
Mounting depth	approx. 83 mm
Levellable	77 - 89 mm
Installation height with levelling feet	95 - 140 mm
Installation height with threaded pin extension	95* - 240 mm
Material: Aluminium	anodised
	(salt and seawater resistant)
Color	anodised
Max. static load	20kN

Features

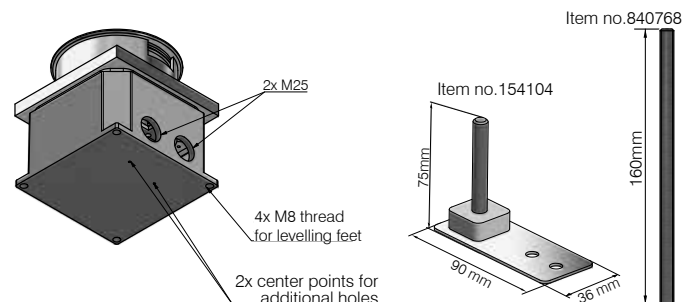
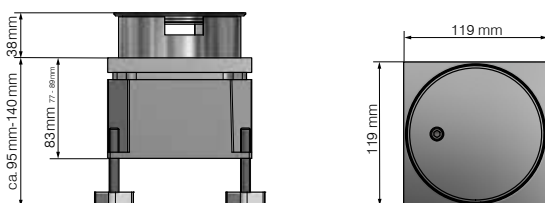
- Frame can be levelled in the offset state (+/- 5 mm) for simple adjustment to the finished floor level
- Floor socket to be placed flush with the floor with screw cover and outlet tube (recessed in the floor when not in use)
- For 1x input 45 x 45 x 4 mm and 1x input 22,5 x 45 x 4 mm (e.g. Schuko, RJ45 etc.)
- Protective cover made of cardboard to prevent damage during the construction phase (integrated in packaging)
- IP 67, when closed
- During plugged in (with outlet pipe attached, water height max. 18 mm) suitable for maintenance with wet sweeping equipment
- Tread-proof when plugged in

Item no.	Description	Equipment
840983	FONTO 4970W with screw cover, 119 x 119 x 83 mm, Anodised aluminium, with water protection tube, closed IP67, 1 module 45 x 45 mm + 22,5 x 45 mm, levellable +/- 6 mm	without Equipment

Accessories / spare parts

Item no.	Description
154104	FONTO/MASSO levelling screw: consisting of: 1x base plate + 1x levelling pin M8 x 60
840768	FONTO/MASSO grub screw extension M8x160mm, galvanized

* Shorten the setscrew as required



Levelling feet are only used to set up the floor socket. Loading class / stability is only achieved by backfilling the floor socket with solid material (mortar, concrete ...).

FONTO 5000

Floor socket with screw cover and outlet pipe levelling frame (levelling feet optionally available)



Technical data

Dimensions FONTO 5000.R (LxWxH)	156 x 156 x 95 mm
Dimensions FONTO 5000 (Ø x H)	156 x 95 mm
Mounting depth	approx. 95 mm
Installation height with levelling feet	100 mm
Installation height with threaded pin extension	100* - 205 mm
Material: Aluminium	anodised
	(salt and seawater resistant)
Color	anodised
Max. static load	40kN

Features

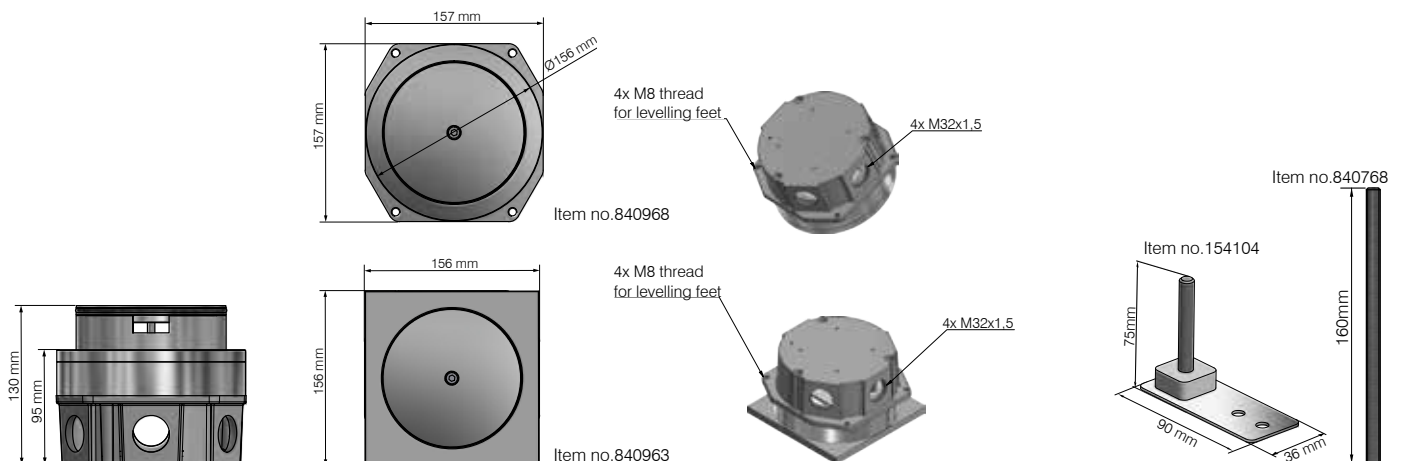
- Floor socket to be placed flush with the floor with screw cover and outlet tube (recessed in the floor when not in use)
- For 2x inputs 45 x 45 x 4 mm and 2x inputs 22.5 x 45 x 4 mm (e.g. Schuko, RJ45, etc.)
- IP 67, when closed
- During plugged in (with outlet pipe attached, water height max. 14 mm) suitable for maintenance with wet sweeping equipment
- Tread-proof when plugged in

Item no.	Description	Equipment
840968	FONTO 5000.R with screw cover, 156 x 156 x 95 mm, Anodised aluminium, with water protection tube, closed IP67	without Equipment
840963	FONTO 5000 with screw cover, 156 x 95 mm, Anodised aluminium, with water protection tube, closed IP67	without Equipment
840990	FONTO 5000 with screw cover, 156 x 95 mm, Anodised aluminium, with water protection tube, closed IP67	2xprotective contact socket 230V 2xRJ45 1xblind

Accessories / spare parts

Item no.	Description
154104	FONTO/MASSO levelling screw: consisting of: 1x base plate + 1x levelling pin M8x60
840768	FONTO/MASSO grub screw extension M8x160mm, galvanized












* Shorten the setscrew as required



Levelling feet are only used to set up the floor socket. Loading class / stability is only achieved by backfilling the floor socket with solid material (mortar, concrete ...).



FONTO Inserts

Sockets		
Item no.	Article	Description
285387	309.LEG.45°.BS.MOSAIC.WEISS.2MOD.	Protective contact socket 230V 16A white mosaic 
107178	309.LEG.FB.BS.MOSAIC.WEISS.2MOD.	Protective contact socket french-belgian standard 230V 16A white mosaic 
107179	309.LEG.TYP13.BS.MOSAIC.WEISS.2MOD.	Protective contact socket 2P+E 10A 230V white mosaic, TYPE 13 
119703	309.LEG.TYP23.BS.MOSAIC.WEISS.2MOD.	Protective contact socket 2P+E 16A 230V white mosaic, TYPE 23 
111180	309.LEG.TYPITALIEN.MOSAIC.WEISS.1MOD	Protective contact socket 2P+E 10A 230V white mosaic, TYPE ITALIAN 
121121	309.LEG.UK.MOSAIC.WEISS.2MOD.	Protective contact socket 2P+E 13A according to the british standard. Connection with screw terminals. 
121446	309.LEG.MOSAIC.ORANGE.2MOD.	Protective contact socket 2P+E 16A in orange with increased touch protection. Connection with screw terminals. 
121448	309.LEG.MOSAIC.ROT.2MOD.	Protective contact socket 2P+E 16A in red with increased touch protection. Connection with screw terminals. 
Switcher, signaling device		
Item no.	Article	Description
132755	AUSSCHALTER.20A.2P.BEL.LEG.MOSAIC.WEISS.2MOD	Switch 2-pole 20A with 0-1 imprint and LED 
308409	WECHSELSCHALTER.10A.1P.BEL.LEG.MOSAIC.WEISS.1MOD	Changeover switch 1-pole 10A without LED unit (LED insert item no. 132757) 
132753	SIGNALLEUCHTE.230VAC.2FACH.LEG.MOSAIC.WEISS.1MOD	Light signal 2-fold 230VAC 2x1W LED white incl. colour cards red, orange, green, blue 

FONTO Inserts

Special inserts		
Item no.	Article	Description
286428	RJ45.STECKDOSE.LEG.CAT6.GESCH.TOOLESS.MO-SAIC.WEISS.1MOD.	RJ45 8P CAT6 socket shielded 
302856	HDMI.STECKDOSE.KABEL.150MM.LEG.MOSAIC.WEISS.1MOD.	HDMI socket + cable 150 mm (only for FONTO 8000 series) 
302858	USB.STECKDOSE.1X5V.750MA.LEG.MOSAIC.WEISS.1MOD.	USB charging module 1-fold, 750mA 
302859	USB.STECKDOSE.2X5V.1500MA.LEG.MOSAIC.WEISS.2MOD.	USB charging module 2-fold, 1500mA 
302857	TV.EINZELDOSE.2-LOCH.LEG.MOSAIC.WEISS.1MOD	TV single box TV-SAT outlet 
119312	TV.EINZELDOSE.3-LOCH.LEG.MOSAIC.WEISS.2MOD	Single TV socket TV-R-SAT outlet 
118715	TV.EINZELDOSE.MALE.0-2400MHZ.LEG.MOSAIC.WEISS.1MOD	Single TV socket (male) 0-2400MHz mosaic 
127367	PA.DOSE.LEG.MOSAIC.1MODUL.	Equipotential bonding box, 1 module 
Blind covers		
Item no.	Article	Description
286143	BLINDABDECKUNG.LEG.MOSAIC.WEISS.1MOD.	Blind cover Legrand mosaic white, 1 module 
300483	BLINDABDECKUNG.LEG.MOSAIC.WEISS.2MOD.	Blind cover Legrand mosaic white, 2 module 
Accessories		
Item no.	Article	Description
240470	M25.VERSCHLUSSSCHRAUBE.POLYAMID.HELLGRAU	M25 srew plug with metric thread, grey 
270503	M32.VERSCHLUSSSCHRAUBE.POLYAMID.HELLGRAU	M32 srew plug with metric thread, grey 
308408	KV.M25.FLACHDICHTUNG.30X23X1,2MM	100x Flat gasket M25 neoprene inside 23mm, outside 30mm, material thickness 1.2mm 
133354	KV.M32.FLACHDICHTUNG.30X40X1,5MM	100x Flat gasket M32 neoprene inside 30mm, outside 40mm, material thickness 1.5mm 

MASSO with screw cover

MASSO 3000.2

Retractable floor socket with screw cover
(cover flush with floor) (levelling feet optionally available)



Technical data

Dimensions (LxWxH)	170 x 170 x 142 mm
Installation height with levelling feet	145 mm
Installation height with threaded pin extension	145* - 245 mm
Material: Aluminium	anodised
	(salt and seawater resistant)
Color	anodised
Max. static load	40kN

Features

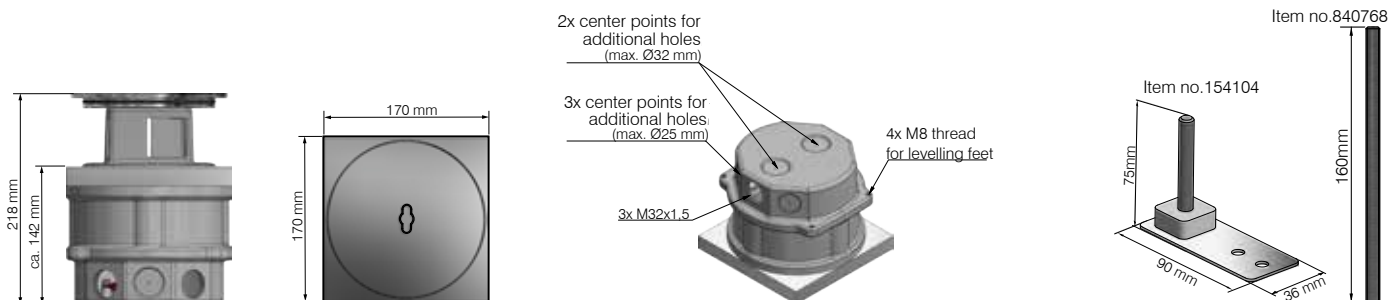
- Retractable floor socket to be placed flush with the floor
- Equipment: see article numbers
- When closed: IP67, drivable
- In open state: up to IP20, step resistant

Item no.	Description	Equipment
840921	MASSO 3000.2 Retractable floor socket, with screw cover, 170 x 170 x 142 mm, IP67, Anodised aluminium, incl. key, not lockable when plugged in, not lockable when inserted	4xprotective contact socket
840924	MASSO 3000.2 Retractable floor socket, with screw cover, 170 x 170 x 142 mm, IP67, Anodised aluminium, incl. key, not lockable when plugged in, not lockable when inserted	3xprotective contact socket 2xRJ45
840928	MASSO 3000.2 Retractable floor socket, with screw cover, 170 x 170 x 142 mm, IP67, Anodised aluminium, incl. key, not lockable when plugged in, not lockable when inserted	2xprotective contact socket 2xRJ45 1xTV-R-SAT

Accessories / spare parts

Item no.	Description
154104	FONTO/MASSO levelling screw: consisting of: 1x base plate + 1x levelling pin M8x60
840768	FONTO/MASSO grub screw extension M8x160mm, galvanized

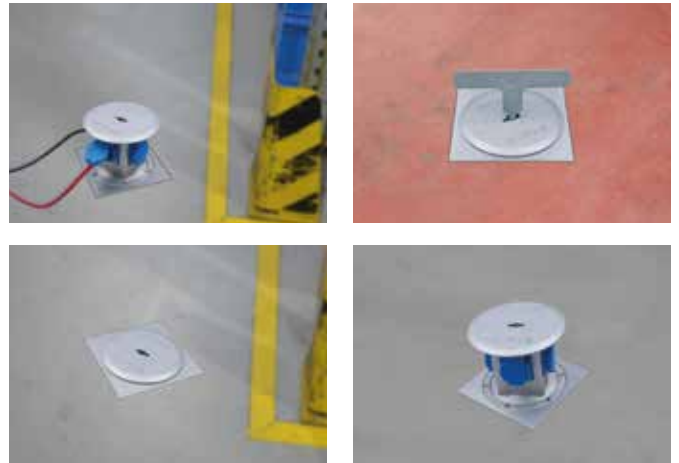
* Shorten the setscrew as required



Levelling feet are only used to set up the floor socket. Loading class / stability is only achieved by backfilling the floor socket with solid material (mortar, concrete ...).

MASSO 4000

Retractable floor socket with screw cover
(cover flush with floor) (levelling feet optionally available)



Technical data

Dimensions (LxWxH) 170 x 170 x 190 mm
 Installation height with levelling feet 190 mm
 Installation height with threaded pin extension 190* - 290 mm
 Material: Aluminium anodised (salt and seawater resistant)
 Color anodised
 Max. static load 40kN

Features

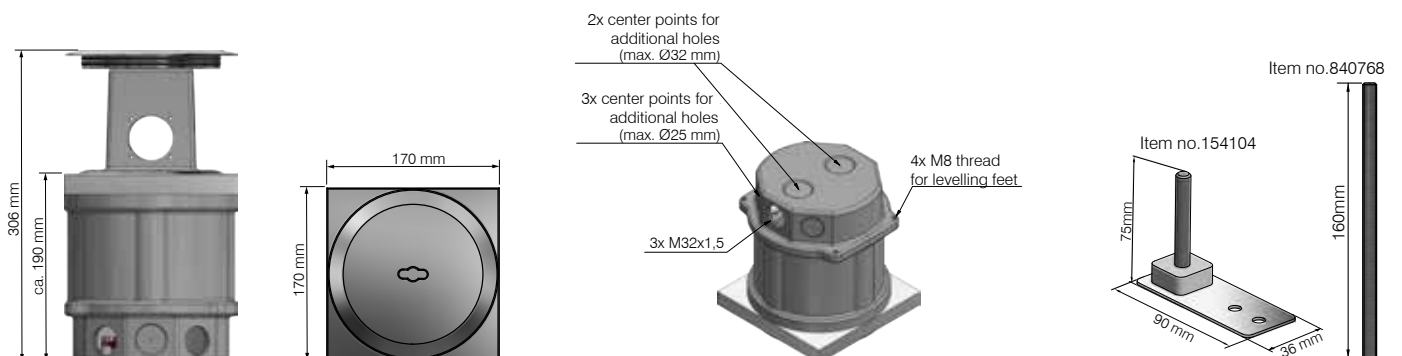
- Retractable floor socket to be placed flush with the floor
- Equipment: see article numbers
- When closed: IP67, drivable
- In open state: up to IP54 (depending on assembly variant), step resistant

Item no.	Description	Equipment
840949	MASSO 4000 Retractable floor socket, with screw cover, 170 x 170 x 190 mm, IP67, Anodised aluminium, incl. key, not lockable when plugged in, not lockable when inserted	4xprotective contact socket
840953	MASSO 4000 Retractable floor socket, with screw cover, 170 x 170 x 190 mm, IP67, Anodised aluminium, incl. key, not lockable when plugged in, not lockable when inserted	3xprotective contact socket 2xRJ45
840956	MASSO 4000 Retractable floor socket, with screw cover, 170 x 170 x 190 mm, IP67, Anodised aluminium, incl. key, not lockable when plugged in, not lockable when inserted	3xprotective contact socket 1xcompressed air DN7.2

Accessories / spare parts

Item no.	Description
154104	FONTO/MASSO levelling screw: consisting of: 1x base plate + 1x levelling pin M8x60
840768	FONTO/MASSO grub screw extension M8x160mm, galvanized

* Shorten the setscrew as required



Levelling feet are only used to set up the floor socket. Loading class / stability is only achieved by backfilling the floor socket with solid material (mortar, concrete ...).

MASSO with screw cover

MASSO 4010

Retractable floor socket with screw cover
(levelling feet optionally available)



Technical data

Dimensions (LxWxH)	170 x 170 x 190 mm
Installation height with levelling feet	190 mm
Installation height with threaded pin extension	190* - 290 mm
Material: Aluminium	anodised (salt and seawater resistant)
Color	anodised
Max. static load	40kN

Features

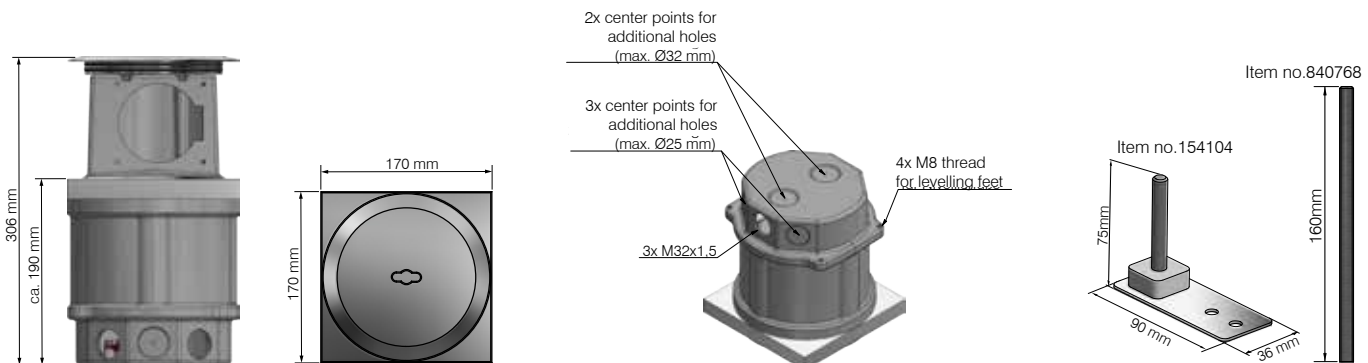
- Retractable floor socket to be placed flush with the floor
- Equipment: see article numbers
- When closed: IP67, drivable
- In open state: up to IP54 (depending on assembly variant), step resistant

Item no.	Description	Equipment
840931	MASSO 4010 Retractable floor socket, with screw cover, 170 x 170 x 190 mm, IP67, Anodised aluminium, incl. key, not lockable when plugged in, not lockable when inserted	1xCEE 16/5
840932	MASSO 4010 Retractable floor socket, with screw cover, 170 x 170 x 190 mm, IP67, Anodised aluminium, incl. key, not lockable when plugged in, not lockable when inserted	1xCEE 32/5

Accessories / spare parts

Item no.	Description
154104	FONTO/MASSO levelling screw: consisting of: 1x base plate + 1x levelling pin M8x60
840768	FONTO/MASSO grub screw extension M8x160mm, galvanized

* Shorten the setscrew as required



Levelling feet are only used to set up the floor socket. Loading class / stability is only achieved by backfilling the floor socket with solid material (mortar, concrete ...).

MASSO 8000

Retractable floor socket with screw cover
(levelling feet optionally available)



Technical data

Dimensions (LxWxH)	170 x 170 x 255 mm
Installation height with levelling feet	255 mm
Installation height with threaded pin extension	255* - 355 mm
Material: Aluminium	anodised (salt and seawater resistant)
Color	anodised
Max. static load	40kN

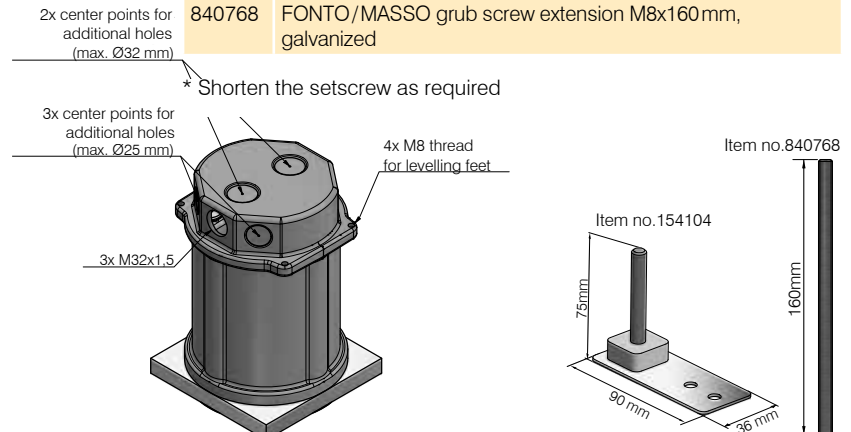
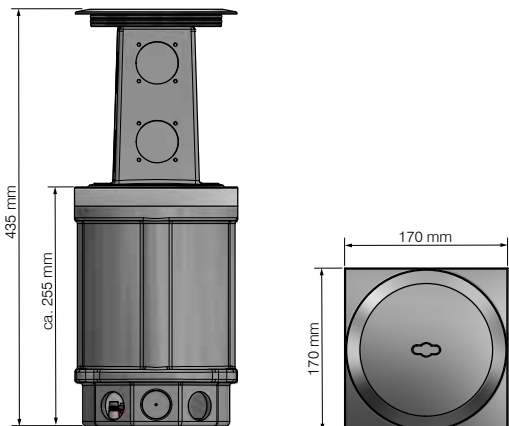
Features

- Retractable floor socket to be placed flush with the floor
- Equipment: see article numbers
- When closed: IP67, drivable
- In open state: up to IP54 (depending on assembly variant), step resistant

Item no.	Description	Equipment
840940	MASSO 8000 Retractable floor socket, with screw cover, 170 x 170 x 255 mm, IP67, Anodised aluminium, incl. key, not lockable when plugged in, not lockable when inserted	6xprotective contact socket
840946	MASSO 8000 Retractable floor socket, with screw cover, 170 x 170 x 255 mm, IP67, Anodised aluminium, incl. key, not lockable when plugged in, not lockable when inserted	5xprotective contact socket 1xcompressed air DN7.2
840371	MASSO 8000 Retractable floor socket, with screw cover, 170 x 170 x 255 mm, IP67, Anodised aluminium, incl. key, not lockable when plugged in, not lockable when inserted	5xprotective contact socket 2xRJ45
840959	MASSO 8000 Retractable floor socket, with screw cover, 170 x 170 x 255 mm, IP67, Anodised aluminium, incl. key, not lockable when plugged in, not lockable when inserted	3xprotective contact socket RCBO/0,03/16A

Accessories / spare parts

Item no.	Description
154104	FONTO/MASSO levelling screw: consisting of: 1x base plate + 1x levelling pin M8x60
840768	FONTO/MASSO grub screw extension M8x160mm, galvanized



Levelling feet are only used to set up the floor socket. Loading class / stability is only achieved by backfilling the floor socket with solid material (mortar, concrete ...).

MASSO with screw cover



MASSO 8010

Retractable floor socket with screw cover
(levelling feet optionally available)



Technical data

Dimensions (LxWxH)	170 x 170 x 255 mm
Installation height with levelling feet	255 mm
Installation height with threaded pin extension	255* - 355 mm
Material: Aluminium	anodised (salt and seawater resistant)
Color	anodised
Max. static load	40kN

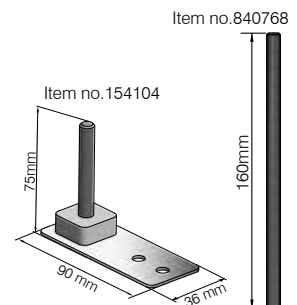
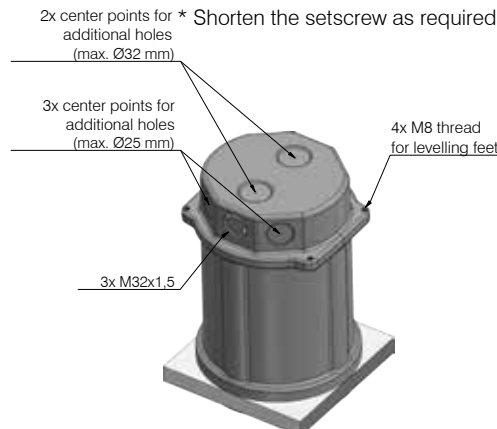
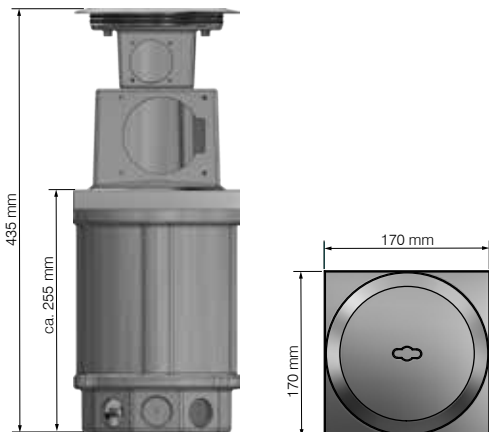
Features

- Retractable floor socket to be placed flush with the floor
- Equipment: see article numbers
- When closed: IP67, drivable
- In open state: up to IP54 (depending on assembly variant), step resistant

Item no.	Description	Equipment
840933	MASSO 8010 Retractable floor socket, with screw cover, 170 x 170 x 255 mm, IP67, Anodised aluminium, incl. key, not lockable when plugged in, not lockable when inserted	1x CEE 16/5 3x protective contact socket
840902	MASSO 8010 Retractable floor socket, with screw cover, 170 x 170 x 255 mm, IP67, Anodised aluminium, incl. key, not lockable when plugged in, not lockable when inserted	1x CEE 16/5 2x protective contact socket 1x compressed air DN7.2
840935	MASSO 8010 Retractable floor socket, with screw cover, 170 x 170 x 255 mm, IP67, Anodised aluminium, incl. key, not lockable when plugged in, not lockable when inserted	1x CEE 16/5 2x protective contact socket 2x RJ45

Accessories / spare parts

Item no.	Description
154104	FONTO/MASSO levelling screw: consisting of: 1x base plate + 1x levelling pin M8x60
840768	FONTO/MASSO grub screw extension M8x160mm, galvanized



Levelling feet are only used to set up the floor socket. Loading class / stability is only achieved by backfilling the floor socket with solid material (mortar, concrete ...).

Application cases MASSO



Application cases FONTO





Application cases MASSO



GIFAS live experience!

How it works

Download the GIFAS Augmented Reality App free for your smartphone or tablet. Then scan the picture that you can see below - the so-called marker - with the GIFAS app. You are now able to look at the product that you have selected from various angles and all sides. Enjoy your 3D tour!

Instructions

The GIFAS app has been developed for use on modern tablets and smartphones using both Apple iOS and Android operating systems. Older devices and software may experience some limitations in their functionality. Due to the larger display size, the app's features are generally at their best on a tablet.

Tip

If you need to place your tablet or smartphone very close to the marker for it to be detected, this may be because there isn't enough light. How it's done: First, point the camera at the marker at close range. Once the app has covered the marker and constructed the 3D model, you can slowly move the device away from the marker - up to a distance of 3 metres. Keep the phone or tablet as still as possible.



Download
the GIFAS
app here

WE ARE EXPERTS IN YOUR FIELD

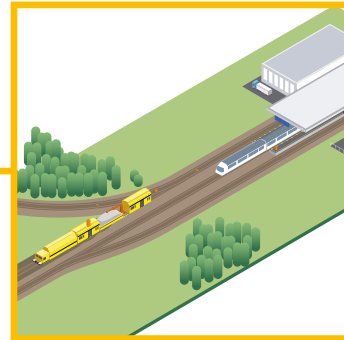
Floor outlets



Public sector



Industrial sector



Safety equipment

THE GIFAS WORLD.

All products for your sector at a glance.

More on www.gifas.de/en/gifas-world